

NOTES:UNLESS OTHERWISE SPECIFIED
THIS IS A CAD GENERATED DRAWING,DO NOT REVISE MANUALLY

REVISION HISTORY					
ZONE	REV	DESCRIPTION	E.C.O.NO	DATE	APPROVED
	1	ENGINEERING RELEASE			

LAP-2040

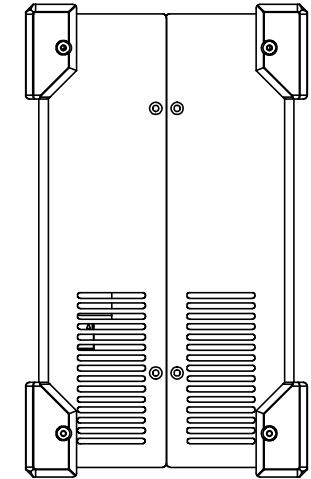
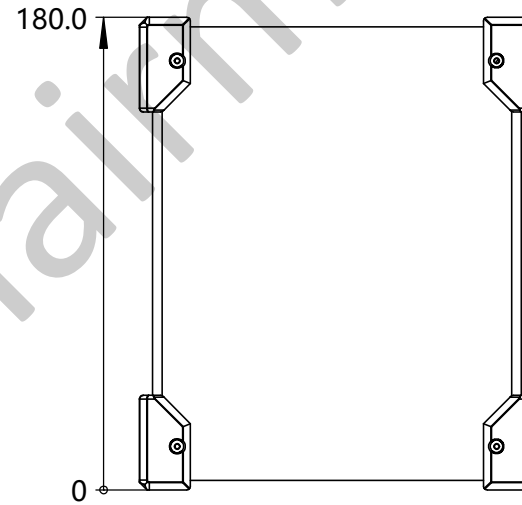
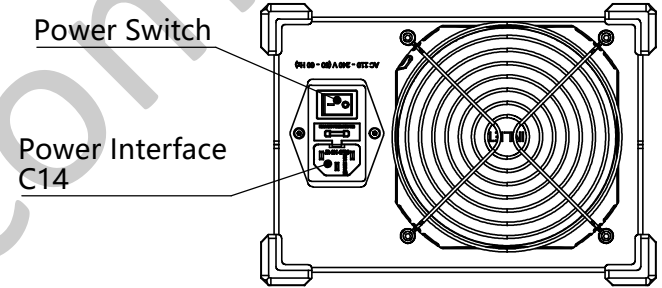
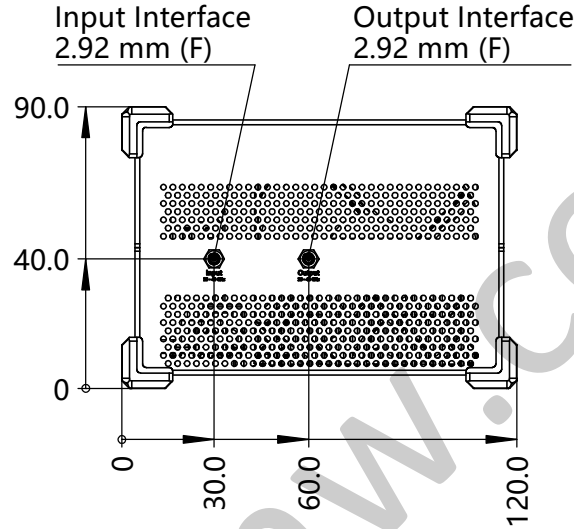
20 – 40 GHz 台式功率放大器 Benchtop Power Amplifier ,4W OUT

—电气技术参数 Electrical Specifications—

频率范围 Frequency Range:	20 – 40 GHz
增益 Gain:	40dB(Typ.),36dB(Min.)
增益平坦度 Gain Flatness:	±3.0dB(Max.)
饱和输出功率 Psat:	36dBm(Typ.),34dBm(Min.)
输入驻波比 Input VSWR:	1.58:1
输出驻波比 Output VSWR:	1.58:1
供电 Power Supply:	AC 220V
工作温度 Operation Temperature:	-40 ~ +60°C
存储温度 Storage Temperature:	-65 ~ +125 °C

—机械技术参数 Mechanical Specifications—

输入连接器 Input Interface:	2.92mm-F
输出连接器 Output Interface:	2.92mm-F
电源连接器 Power Interface:	C14
散热器/风扇 Heat Sink/Fan:	内置Inbuilt
尺寸 Size:	180mm(L)x120mm(W)x90mm(H)
重量 Weight:	1500g



UNLESS OTHERWISE SPECIFIED DIMENSIONS ARE MILLIMETER TOLERANCES ARE: DECIMALS ANGLES FRACTIONS .XX±0.03 ±1' ±2/5 .XXX±0.012				莱尔微波 www.lairmw.com sales@lairmw.com		P/N: LAP-2040																									
<table border="1"> <tr> <td>HOLE DIAMETER</td> <td>TOLERANCES</td> </tr> <tr> <td>.35 TO 3.20</td> <td>+.05/- .02</td> </tr> <tr> <td>3.21 TO 6.35</td> <td>+.10/- .03</td> </tr> <tr> <td>6.36 TO 12.70</td> <td>+.15/- .03</td> </tr> <tr> <td>12.71 TO 19.05</td> <td>+.20/- .03</td> </tr> <tr> <td>19.06 TO 25.40</td> <td>+.25/- .03</td> </tr> <tr> <td>25.41 TO 50.80</td> <td>+.30/- .03</td> </tr> </table>		HOLE DIAMETER	TOLERANCES	.35 TO 3.20	+.05/- .02	3.21 TO 6.35	+.10/- .03	6.36 TO 12.70	+.15/- .03	12.71 TO 19.05	+.20/- .03	19.06 TO 25.40	+.25/- .03	25.41 TO 50.80	+.30/- .03	<table border="1"> <tr> <td>Approvals</td> <td>DATE</td> </tr> <tr> <td>DRWN</td> <td></td> </tr> <tr> <td>ENG</td> <td></td> </tr> <tr> <td>CHK</td> <td></td> </tr> <tr> <td>Q.A.</td> <td></td> </tr> </table>		Approvals	DATE	DRWN		ENG		CHK		Q.A.		20-40GHz 台式功率放大器 Benchtop Power Amplifier 增益 Gain 40dB			
HOLE DIAMETER	TOLERANCES																														
.35 TO 3.20	+.05/- .02																														
3.21 TO 6.35	+.10/- .03																														
6.36 TO 12.70	+.15/- .03																														
12.71 TO 19.05	+.20/- .03																														
19.06 TO 25.40	+.25/- .03																														
25.41 TO 50.80	+.30/- .03																														
Approvals	DATE																														
DRWN																															
ENG																															
CHK																															
Q.A.																															
		SIZE	CAGE NO	DWG NO.	REV																										
		A3			1																										
		SCALE	UNIT	SHEET 1 OF 1																											
		3:2	mm																												