

NOTES:UNLESS OTHERWISE SPECIFIED
THIS IS A CAD GENERATED DRAWING,DO NOT REVISE MANUALLY

REVISION HISTORY					
ZONE	REV	DESCRIPTION	E.C.O.NO	DATE	APPROVED
	1	ENGINEERING RELEASE			

LAP-2019

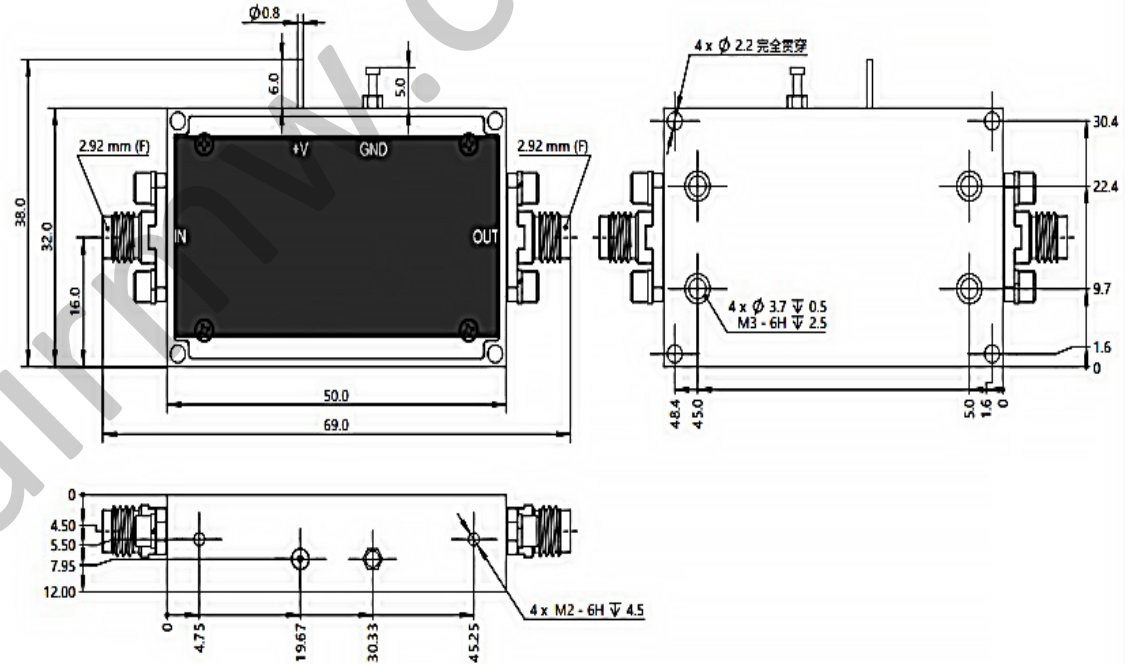
24 – 30 GHz 功率放大器 Power Amplifier

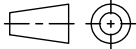


—电气技术参数 Electrical Specifications—

频率范围 Frequency Range:	24 – 30 GHz
增益 Gain:	30dB
输出 P _{1dB} Output P _{1dB} :	34dBm
饱和输出功率 Psat:	35dBm
输入驻波比 Input VSWR:	1.67:1
输出驻波比 Output VSWR:	1.67:1
直流偏置电压 DC Power Supply:	+7 ~ +12V
直流偏置电流 DC Current Supply:	2700mA
工作温度 Operation Temperature:	-40 ~ +60°C
存储温度 Storage Temperature:	-65 ~ +125 °C

—机械技术参数 Mechanical Specifications—

输入连接器 Input Interface:	2.92mm-F
输出连接器 Output Interface:	2.92mm-F
尺寸 Size (excluding connectors):	50x32x12mm
重量 Weight:	27g



UNLESS OTHERWISE SPECIFIED DIMENSIONS ARE MILLIMETER TOLERANCES ARE: DECIMALS ANGLES FRACTIONS .XX±0.03 ±1' ±2/5 .XXX±0.012						 www.lairmw.com sales@lairmw.com		P/N: LAP-2019	
HOLE DIAMETER .35 TO 3.20 3.21 TO 6.35 6.36 TO 12.70 12.71 TO 19.05 19.06 TO 25.40 25.41 TO 50.80		TOLERANCES +.05/-02 +.10/-03 +.15/-03 +.20/-03 +.25/-03 +.30/-03		Approvals		DATE		24 - 30GHz 功率放大器 Power Amplifier 增益 Gain 30dB	
DRWN		ENG		CHK		Q.A.		SIZE A3 SCALE 3:2 CAGE NO UNIT mm DWG NO. SHEET 1 OF 1	
								REV 1	