

NOTES:UNLESS OTHERWISE SPECIFIED
THIS IS A CAD GENERATED DRAWING,DO NOT REVISE MANUALLY

REVISION HISTORY					
ZONE	REV	DESCRIPTION	E.C.O.NO	DATE	APPROVED
	1	ENGINEERING RELEASE			

LAP-2017

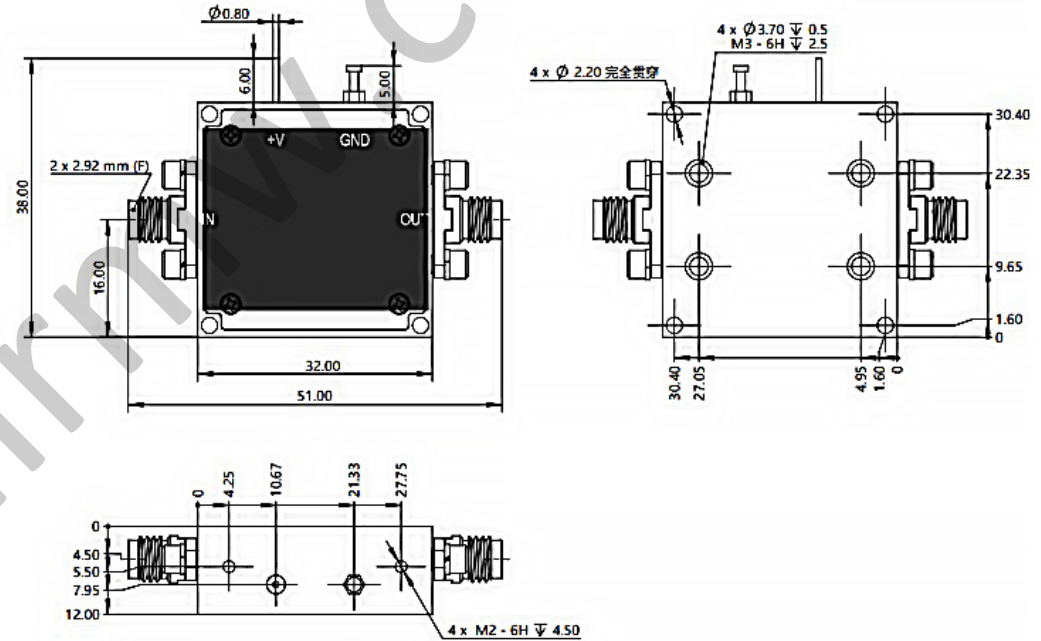
27.5 – 30.5 GHz 功率放大器 Power Amplifier

—电气技术参数 Electrical Specifications—

频率范围 Frequency Range:	27.5 – 30.5 GHz
增益 Gain:	19dB
输出 P _{1dB} Output P _{1dB} :	33dBm
饱和输出功率 Psat:	33.5dBm
输入驻波比 Input VSWR:	3.5:1
输出驻波比 Output VSWR:	1.9:1
直流偏置电压 DC Power Supply:	+7 ~ +15V
直流偏置电流 DC Current Supply:	900mA
工作温度 Operation Temperature:	-40 ~ +60°C
存储温度 Storage Temperature:	-65 ~ +125 °C

—机械技术参数 Mechanical Specifications—

输入连接器 Input Interface:	2.92mm-F
输出连接器 Output Interface:	2.92mm-F
尺寸 Size (excluding connectors):	32x32x12 mm
重量 Weight:	27g



UNLESS OTHERWISE SPECIFIED DIMENSIONS ARE MILLIMETER TOLERANCES ARE: DECIMALS ANGLES FRACTIONS .XX±0.03 ±1' ±2/5 .XXX±0.012				 www.lairmw.com sales@lairmw.com		P/N: LAP-2017																									
<table border="1"> <tr> <td>DRWN</td> <td></td> </tr> <tr> <td>ENG</td> <td></td> </tr> <tr> <td>CHK</td> <td></td> </tr> <tr> <td>Q.A.</td> <td></td> </tr> </table>		DRWN		ENG		CHK		Q.A.		<table border="1"> <tr> <td>DATE</td> <td></td> </tr> </table>		DATE		27.5-30.5GHz 功率放大器 Power Amplifier 增益 Gain 19dB																	
DRWN																															
ENG																															
CHK																															
Q.A.																															
DATE																															
<table border="1"> <tr> <td>HOLE DIAMETER</td> <td>TOLERANCES</td> </tr> <tr> <td>.35 TO 3.20</td> <td>+.05/- .02</td> </tr> <tr> <td>3.21 TO 6.35</td> <td>+.10/- .03</td> </tr> <tr> <td>6.36 TO 12.70</td> <td>+.15/- .03</td> </tr> <tr> <td>12.71 TO 19.05</td> <td>+.20/- .03</td> </tr> <tr> <td>19.06 TO 25.40</td> <td>+.25/- .03</td> </tr> <tr> <td>25.41 TO 50.80</td> <td>+.30/- .03</td> </tr> </table>		HOLE DIAMETER	TOLERANCES	.35 TO 3.20	+.05/- .02	3.21 TO 6.35	+.10/- .03	6.36 TO 12.70	+.15/- .03	12.71 TO 19.05	+.20/- .03	19.06 TO 25.40	+.25/- .03	25.41 TO 50.80	+.30/- .03	<table border="1"> <tr> <td>SIZE</td> <td>A3</td> </tr> </table>		SIZE	A3	<table border="1"> <tr> <td>CAGE NO</td> <td></td> </tr> </table>		CAGE NO		<table border="1"> <tr> <td>DWG NO.</td> <td></td> </tr> </table>		DWG NO.		<table border="1"> <tr> <td>REV</td> <td>1</td> </tr> </table>		REV	1
HOLE DIAMETER	TOLERANCES																														
.35 TO 3.20	+.05/- .02																														
3.21 TO 6.35	+.10/- .03																														
6.36 TO 12.70	+.15/- .03																														
12.71 TO 19.05	+.20/- .03																														
19.06 TO 25.40	+.25/- .03																														
25.41 TO 50.80	+.30/- .03																														
SIZE	A3																														
CAGE NO																															
DWG NO.																															
REV	1																														
SCALE 3:2		UNIT mm		SHEET 1 OF 1																											