

NOTES:UNLESS OTHERWISE SPECIFIED
THIS IS A CAD GENERATED DRAWING,DO NOT REVISE MANUALLY

REVISION HISTORY					
ZONE	REV	DESCRIPTION	E.C.O.NO	DATE	APPROVED
	1	ENGINEERING RELEASE			

LAP-2013

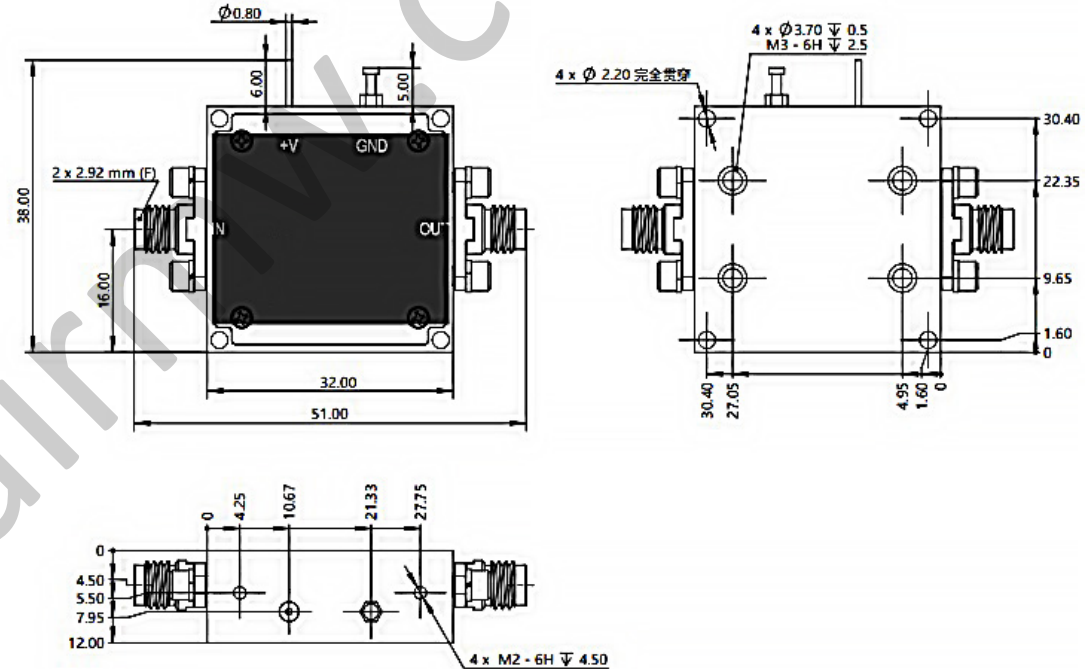
17.0 – 29.0 GHz 功率放大器 Power Amplifier

—电气技术参数 Electrical Specifications—

频率范围 Frequency Range:	17.0 – 29.0 GHz
增益 Gain:	30dB
输出 P _{1dB} Output P _{1dB} :	28dBm
饱和输出功率 Psat:	29dBm
输入驻波比 Input VSWR:	1.4:1
输出驻波比 Output VSWR:	1.1:1
直流偏置电压 DC Power Supply:	+9 ~ +15V
直流偏置电流 DC Current Supply:	900mA
工作温度 Operation Temperature:	-40 ~ +60°C
存储温度 Storage Temperature:	-65 ~ +125 °C

—机械技术参数 Mechanical Specifications—

输入连接器 Input Interface:	2.92mm-F
输出连接器 Output Interface:	2.92mm-F
尺寸 Size (excluding connectors):	32x32x12 mm
重量 Weight:	27g



UNLESS OTHERWISE SPECIFIED DIMENSIONS ARE MILLIMETER TOLERANCES ARE: DECIMALS ANGLES FRACTIONS .XX±0.03 ±1' ±2/5 .XXX±0.012				 www.lairmw.com sales@lairmw.com		P/N: LAP-2013																									
<table border="1"> <tr> <td>HOLE DIAMETER</td> <td>TOLERANCES</td> </tr> <tr> <td>.35 TO 3.20</td> <td>+.05/-02</td> </tr> <tr> <td>3.21 TO 6.35</td> <td>+.10/-03</td> </tr> <tr> <td>6.36 TO 12.70</td> <td>+.15/-03</td> </tr> <tr> <td>12.71 TO 19.05</td> <td>+.20/-03</td> </tr> <tr> <td>19.06 TO 25.40</td> <td>+.25/-03</td> </tr> <tr> <td>25.41 TO 50.80</td> <td>+.30/-03</td> </tr> </table>		HOLE DIAMETER	TOLERANCES	.35 TO 3.20	+.05/-02	3.21 TO 6.35	+.10/-03	6.36 TO 12.70	+.15/-03	12.71 TO 19.05	+.20/-03	19.06 TO 25.40	+.25/-03	25.41 TO 50.80	+.30/-03	<table border="1"> <tr> <td>Approvals</td> <td>DATE</td> </tr> <tr> <td>DRWN</td> <td></td> </tr> <tr> <td>ENG</td> <td></td> </tr> <tr> <td>CHK</td> <td></td> </tr> <tr> <td>Q.A.</td> <td></td> </tr> </table>		Approvals	DATE	DRWN		ENG		CHK		Q.A.		17 - 29GHz 功率放大器 Power Amplifier 增益 Gain 30dB			
HOLE DIAMETER	TOLERANCES																														
.35 TO 3.20	+.05/-02																														
3.21 TO 6.35	+.10/-03																														
6.36 TO 12.70	+.15/-03																														
12.71 TO 19.05	+.20/-03																														
19.06 TO 25.40	+.25/-03																														
25.41 TO 50.80	+.30/-03																														
Approvals	DATE																														
DRWN																															
ENG																															
CHK																															
Q.A.																															
SIZE A3		CAGE NO		DWG NO.		REV 1																									
SCALE 3:2		UNIT mm		SHEET 1 OF 1																											