

NOTES:UNLESS OTHERWISE SPECIFIED
THIS IS A CAD GENERATED DRAWING,DO NOT REVISE MANUALLY

REVISION HISTORY					
ZONE	REV	DESCRIPTION	E.C.O.NO	DATE	APPROVED
	1	ENGINEERING RELEASE			

LAP-2010

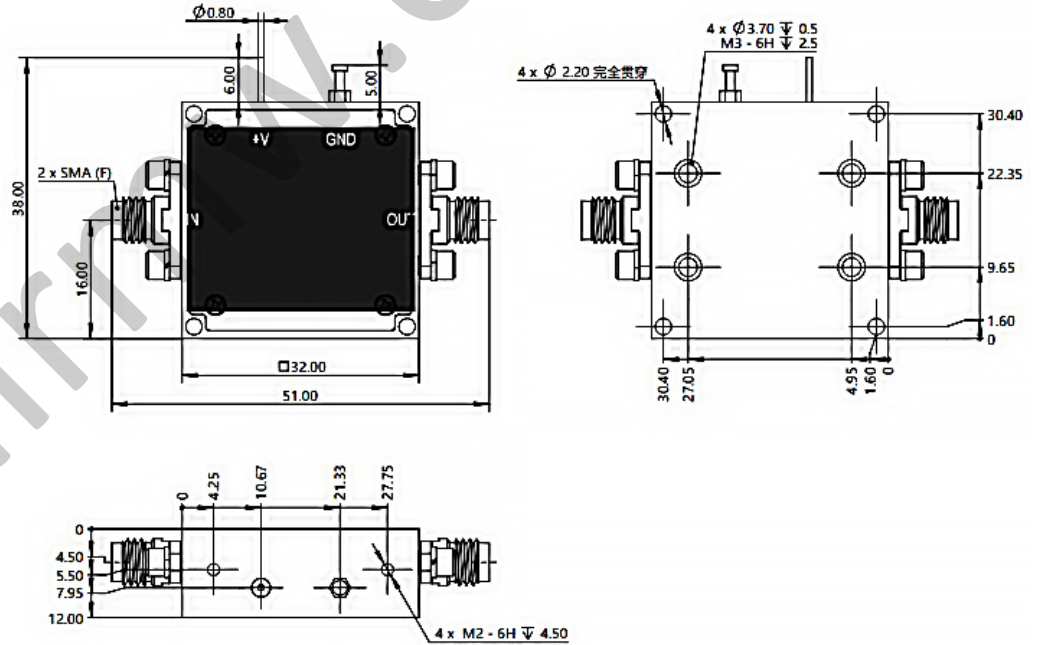
12.0 – 18.0 GHz 功率放大器 Power Amplifier

—电气技术参数 Electrical Specifications—

频率范围 Frequency Range:	12.0 – 18.0 GHz
增益 Gain:	42dB
输出 P _{1dB} Output P _{1dB} :	36dBm
饱和输出功率 Psat:	36.5dBm
输入驻波比 Input VSWR:	1.5:1
输出驻波比 Output VSWR:	2.3:1
直流偏置电压 DC Power Supply:	+9 ~ +15V
直流偏置电流 DC Current Supply:	1550mA
工作温度 Operation Temperature:	-40 ~ +60°C
存储温度 Storage Temperature:	-65 ~ +125 °C

—机械技术参数 Mechanical Specifications—

输入连接器 Input Interface:	SMA-F
输出连接器 Output Interface:	SMA-F
尺寸 Size (excluding connectors):	32x32x12 mm
重量 Weight:	27g



UNLESS OTHERWISE SPECIFIED DIMENSIONS ARE MILLIMETER TOLERANCES ARE: DECIMALS ANGLES FRACTIONS .XX±0.03 ±1' ±2/5 .XXX±0.012				 www.lairmw.com sales@lairmw.com		P/N: LAP-2010															
<table border="1"> <tr> <td>DRWN</td> <td>DATE</td> </tr> <tr> <td>ENG</td> <td></td> </tr> <tr> <td>CHK</td> <td></td> </tr> <tr> <td>Q.A.</td> <td></td> </tr> </table>		DRWN	DATE	ENG		CHK		Q.A.		12.0-18.0GHz 功率放大器 Power Amplifier 增益 Gain 42dB											
DRWN	DATE																				
ENG																					
CHK																					
Q.A.																					
<table border="1"> <tr> <td>HOLE DIAMETER</td> <td>TOLERANCES</td> </tr> <tr> <td>.35 TO 3.20</td> <td>+0.05/-0.02</td> </tr> <tr> <td>3.21 TO 6.35</td> <td>+0.10/-0.03</td> </tr> <tr> <td>6.36 TO 12.70</td> <td>+0.15/-0.03</td> </tr> <tr> <td>12.71 TO 19.05</td> <td>+0.20/-0.03</td> </tr> <tr> <td>19.06 TO 25.40</td> <td>+0.25/-0.03</td> </tr> <tr> <td>25.41 TO 50.80</td> <td>+0.30/-0.03</td> </tr> </table>		HOLE DIAMETER	TOLERANCES	.35 TO 3.20	+0.05/-0.02	3.21 TO 6.35	+0.10/-0.03	6.36 TO 12.70	+0.15/-0.03	12.71 TO 19.05	+0.20/-0.03	19.06 TO 25.40	+0.25/-0.03	25.41 TO 50.80	+0.30/-0.03	SIZE	CAGE NO	DWG NO.	REV		
HOLE DIAMETER	TOLERANCES																				
.35 TO 3.20	+0.05/-0.02																				
3.21 TO 6.35	+0.10/-0.03																				
6.36 TO 12.70	+0.15/-0.03																				
12.71 TO 19.05	+0.20/-0.03																				
19.06 TO 25.40	+0.25/-0.03																				
25.41 TO 50.80	+0.30/-0.03																				
		A3			1																
		SCALE	UNIT	SHEET		1 OF 1															
		3:2	mm	1																	