

NOTES:UNLESS OTHERWISE SPECIFIED  
THIS IS A CAD GENERATED DRAWING,DO NOT REVISE MANUALLY

REVISION HISTORY					
ZONE	REV	DESCRIPTION	E.C.O.NO	DATE	APPROVED
	1	ENGINEERING RELEASE			

## LAP-2009

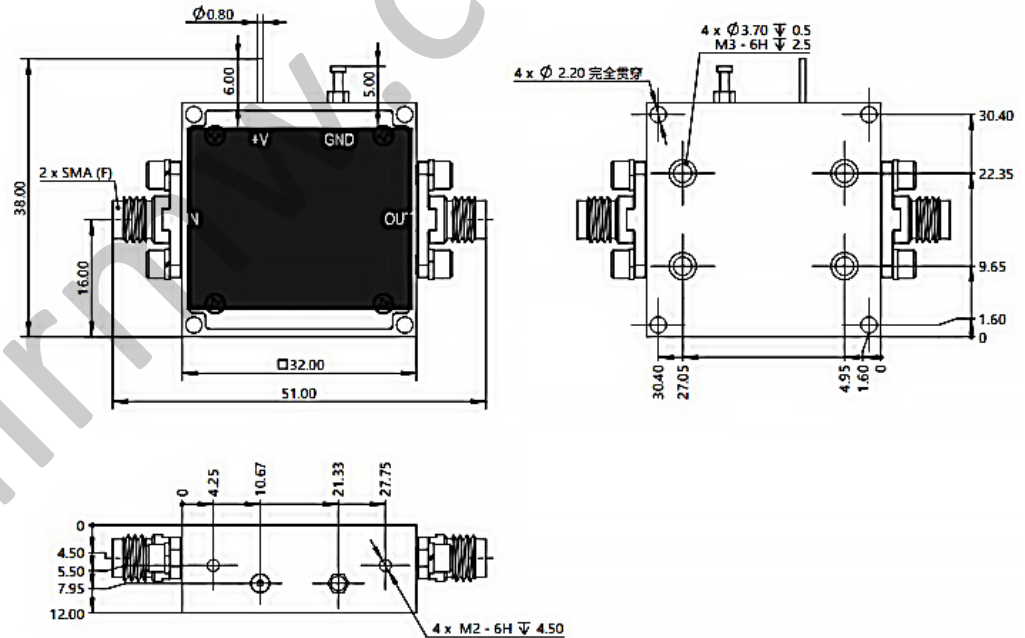
12.0 – 18.0 GHz 功率放大器 Power Amplifier

### —电气技术参数 Electrical Specifications—

频率范围 Frequency Range:	12.0 – 18.0 GHz
增益 Gain:	22dB
输出 P <sub>1dB</sub> Output P <sub>1dB</sub> :	36dBm
饱和输出功率 Psat:	36.5dBm
输入驻波比 Input VSWR:	2.1:1
输出驻波比 Output VSWR:	2.3:1
直流偏置电压 DC Power Supply:	+9 ~ +15V
直流偏置电流 DC Current Supply:	1400mA
工作温度 Operation Temperature:	-40 ~ +60°C
存储温度 Storage Temperature:	-65 ~ +125 °C

### —机械技术参数 Mechanical Specifications—

输入连接器 Input Interface:	SMA-F
输出连接器 Output Interface:	SMA-F
尺寸 Size (excluding connectors):	32x32x12 mm
重量 Weight:	27g



UNLESS OTHERWISE SPECIFIED DIMENSIONS ARE MILLIMETER TOLERANCES ARE: DECIMALS ANGLES FRACTIONS .XX±0.03 ±1' ±2/5 .XXX±0.012				 www.lairmw.com sales@lairmw.com		P/N: LAP-2009	
HOLE DIAMETER .35 TO 3.20 3.21 TO 6.35 6.36 TO 12.70 12.71 TO 19.05 19.06 TO 25.40 25.41 TO 50.80		TOLERANCES +.05/-02 +.10/-03 +.15/-03 +.20/-03 +.25/-03 +.30/-03		Approvals DRWN ENG CHK Q.A.		DATE 12.0-18.0GHz 功率放大器 Power Amplifier 增益 Gain 22dB	
				SIZE A3		CAGE NO.	
				SCALE 3:2		UNIT mm	
				DWG NO.		REV 1	
				SHEET 1 OF 1			