

NOTES:UNLESS OTHERWISE SPECIFIED  
THIS IS A CAD GENERATED DRAWING,DO NOT REVISE MANUALLY

REVISION HISTORY					
ZONE	REV	DESCRIPTION	E.C.O.NO	DATE	APPROVED
	1	ENGINEERING RELEASE			

## LAP-1103

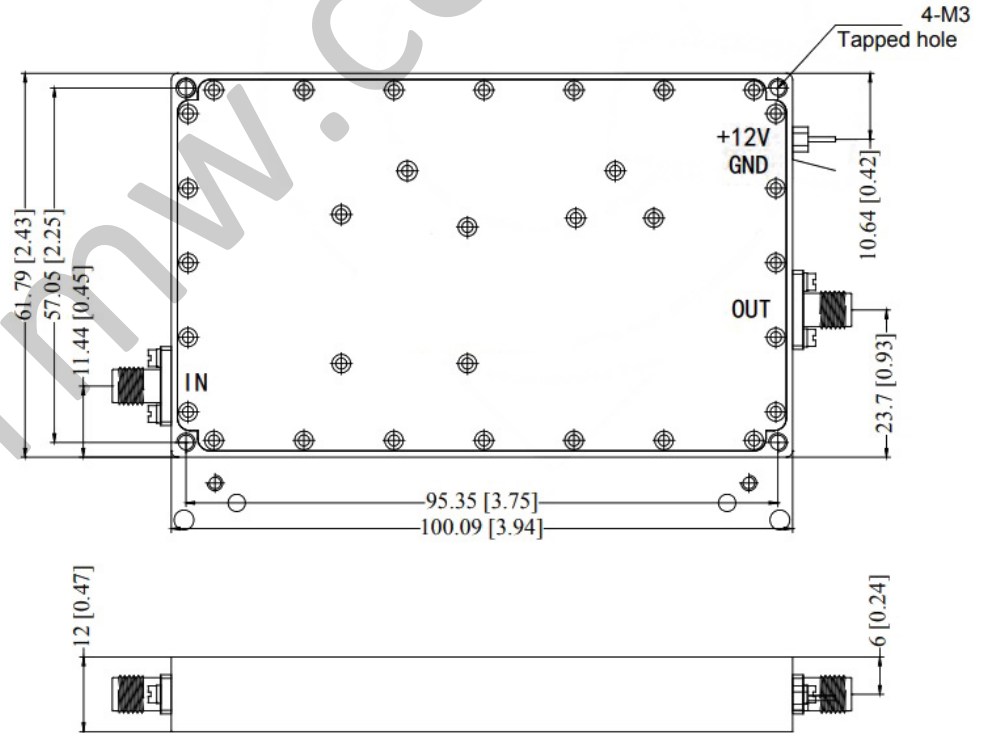
0.5 – 6.0 GHz 功率放大器 Power Amplifier

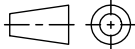

### —电气技术参数 Electrical Specifications—

频率范围 Frequency Range:	0.5 – 6.0 GHz
增益 Gain:	31dB
输出 P <sub>1dB</sub> Output P <sub>1dB</sub> :	30dBm
饱和输出功率 Psat:	31dBm
输入驻波比 Input VSWR:	1.8:1
输出驻波比 Output VSWR:	/
直流偏置电压 DC Power Supply:	+12V
直流偏置电流 DC Current Supply:	280mA
工作温度 Operation Temperature:	-40 ~ +85°C
存储温度 Storage Temperature:	-50 ~ +105°C

### —机械技术参数 Mechanical Specifications—

输入连接器 Input Interface:	SMA-F
输出连接器 Output Interface:	SMA-F
尺寸 Size (excluding connectors):	/
重量 Weight:	/



UNLESS OTHERWISE SPECIFIED DIMENSIONS ARE MILLIMETER TOLERANCES ARE: DECIMALS ANGLES FRACTIONS .XX±0.03 ±1' ±2/5 .XXX±0.012			 www.lairmw.com sales@lairmw.com	P/N: LAP-1103																						
	<table border="1"> <tr> <td>Approvals</td> <td>DATE</td> </tr> <tr> <td>DRWN</td> <td></td> </tr> <tr> <td>ENG</td> <td></td> </tr> <tr> <td>CHK</td> <td></td> </tr> <tr> <td>Q.A.</td> <td></td> </tr> </table>	Approvals		DATE	DRWN		ENG		CHK		Q.A.		0.05 - 6.0 GHz 功率放大器 Power Amplifier 增益 Gain 31dB													
Approvals	DATE																									
DRWN																										
ENG																										
CHK																										
Q.A.																										
<table border="1"> <tr> <td>HOLE DIAMETER</td> <td>TOLERANCES</td> </tr> <tr> <td>.35 TO 3.20</td> <td>+0.05/-0.02</td> </tr> <tr> <td>3.21 TO 6.35</td> <td>+0.10/-0.03</td> </tr> <tr> <td>6.36 TO 12.70</td> <td>+0.15/-0.03</td> </tr> <tr> <td>12.71 TO 19.05</td> <td>+0.20/-0.03</td> </tr> <tr> <td>19.06 TO 25.40</td> <td>+0.25/-0.03</td> </tr> <tr> <td>25.41 TO 50.80</td> <td>+0.30/-0.03</td> </tr> </table>	HOLE DIAMETER	TOLERANCES	.35 TO 3.20	+0.05/-0.02	3.21 TO 6.35	+0.10/-0.03	6.36 TO 12.70	+0.15/-0.03	12.71 TO 19.05	+0.20/-0.03	19.06 TO 25.40	+0.25/-0.03	25.41 TO 50.80	+0.30/-0.03	<table border="1"> <tr> <td>SIZE</td> <td>CAGE NO</td> <td>DWG NO.</td> <td>REV</td> </tr> <tr> <td>A3</td> <td></td> <td></td> <td>1</td> </tr> </table>	SIZE	CAGE NO	DWG NO.	REV	A3			1	SCALE 3:2 UNIT mm SHEET 1 OF 1		
HOLE DIAMETER	TOLERANCES																									
.35 TO 3.20	+0.05/-0.02																									
3.21 TO 6.35	+0.10/-0.03																									
6.36 TO 12.70	+0.15/-0.03																									
12.71 TO 19.05	+0.20/-0.03																									
19.06 TO 25.40	+0.25/-0.03																									
25.41 TO 50.80	+0.30/-0.03																									
SIZE	CAGE NO	DWG NO.	REV																							
A3			1																							