

NOTES:UNLESS OTHERWISE SPECIFIED  
THIS IS A CAD GENERATED DRAWING,DO NOT REVISE MANUALLY

REVISION HISTORY					
ZONE	REV	DESCRIPTION	E.C.O.NO	DATE	APPROVED
	1	ENGINEERING RELEASE			

## LAP-1098

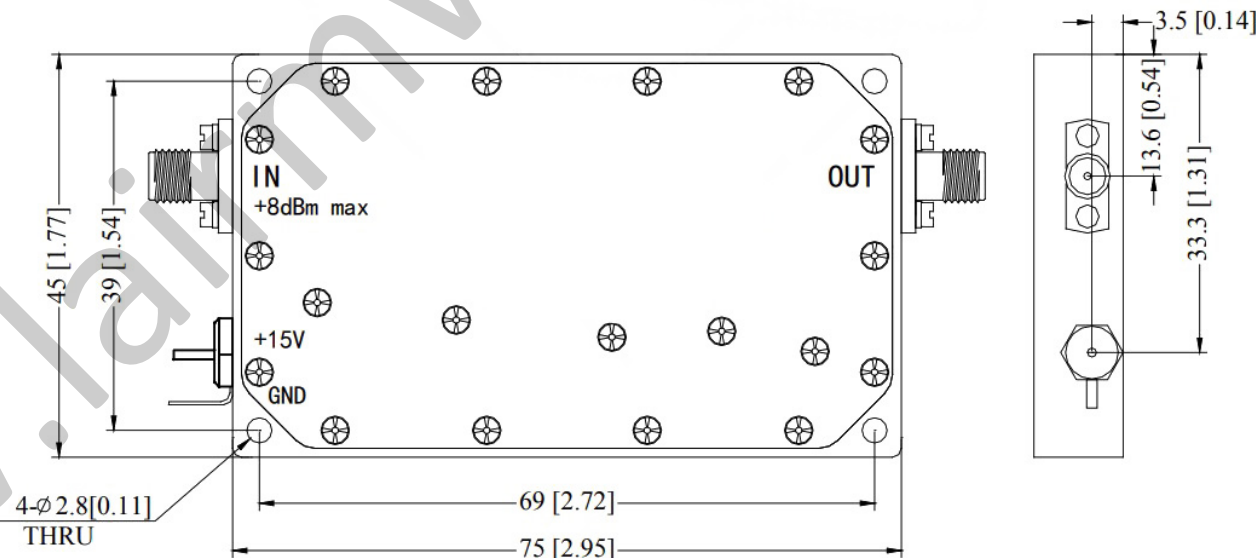
0.9 – 2.5 GHz 功率放大器 Power Amplifier

### —电气技术参数 Electrical Specifications—

频率范围 Frequency Range:	0.9 – 2.5 GHz
增益 Gain:	31dB
输出 P <sub>1dB</sub> Output P <sub>1dB</sub> :	36dBm
饱和输出功率 Psat:	37dBm
输入驻波比 Input VSWR:	1.2:1
输出驻波比 Output VSWR:	/
直流偏置电压 DC Power Supply:	+15V
直流偏置电流 DC Current Supply:	550mA
工作温度 Operation Temperature:	-40 ~ +85°C
存储温度 Storage Temperature:	-50 ~ +105°C

### —机械技术参数 Mechanical Specifications—

输入连接器 Input Interface:	SMA-F
输出连接器 Output Interface:	SMA-F
尺寸 Size (excluding connectors):	/
重量 Weight:	/



UNLESS OTHERWISE SPECIFIED DIMENSIONS ARE MILLIMETER TOLERANCES ARE: DECIMALS ANGLES FRACTIONS .XX±0.03 ±1' ±2/5 .XXX±0.012			 www.lairmw.com sales@lairmw.com	P/N: LAP-1098	
	Approvals	DATE		0.9 - 2.5 GHz 功率放大器 Power Amplifier 增益 Gain 31dB	
HOLE DIAMETER .35 TO 3.20 3.21 TO 6.35 6.36 TO 12.70 12.71 TO 19.05 19.06 TO 25.40 25.41 TO 50.80	TOLERANCES +.05/-02 +.10/-03 +.15/-03 +.20/-03 +.25/-03 +.30/-03	DRWN	SIZE A3	CAGE NO	DWG NO.
		ENG	SCALE 3:2	UNIT mm	REV 1
		CHK	SHEET 1 OF 1		
		Q.A.			