

NOTES:UNLESS OTHERWISE SPECIFIED
THIS IS A CAD GENERATED DRAWING,DO NOT REVISE MANUALLY

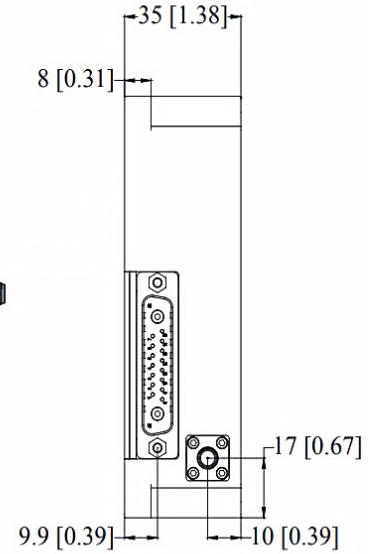
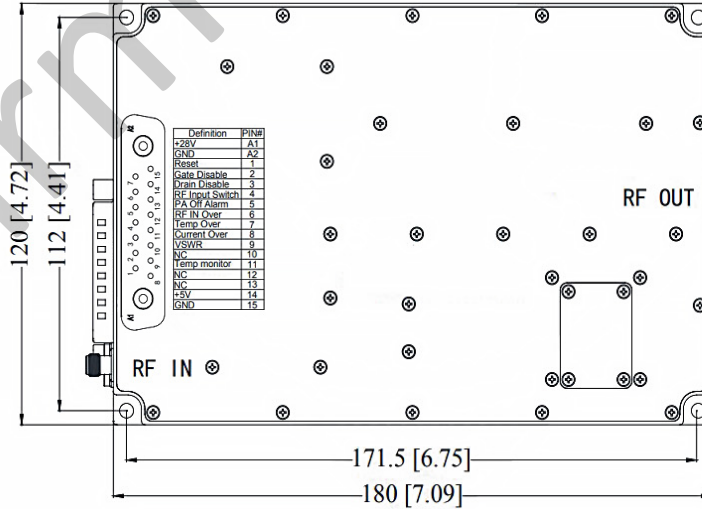
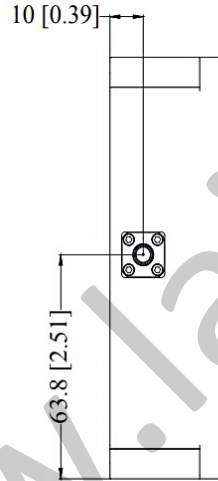
REVISION HISTORY					
ZONE	REV	DESCRIPTION	E.C.O.NO	DATE	APPROVED
	1	ENGINEERING RELEASE			

LAP-1060

0.8 – 4.2 GHz 功率放大器 Power Amplifier

—电气技术参数 Electrical Specifications—

频率范围 Frequency Range:	0.8 – 4.2 GHz
增益 Gain:	50dB
输出 P _{1dB} Output P _{1dB} :	41dBm
饱和输出功率 Psat:	46dBm
输入驻波比 Input VSWR:	1.5:1
输出驻波比 Output VSWR:	/
直流偏置电压 DC Power Supply:	+28V
直流偏置电流 DC Current Supply:	15000mA
工作温度 Operation Temperature:	-40 ~ +60°C
存储温度 Storage Temperature:	-50 ~ +105°C



—机械技术参数 Mechanical Specifications—

输入连接器 Input Interface:	SMA-F
输出连接器 Output Interface:	SMA-F
尺寸 Size (excluding connectors):	/
重量 Weight:	/

UNLESS OTHERWISE SPECIFIED DIMENSIONS ARE MILLIMETER TOLERANCES ARE: DECIMALS ANGLES FRACTIONS .XX±0.03 ±1' ±2/5 .XXX±0.012				 www.lairmw.com sales@lairmw.com		P/N: LAP-1060	
HOLE DIAMETER .35 TO 3.20 3.21 TO 6.35 6.36 TO 12.70 12.71 TO 19.05 19.06 TO 25.40 25.41 TO 50.80		TOLERANCES +.05/- .02 +.10/- .03 +.15/- .03 +.20/- .03 +.25/- .03 +.30/- .03		Approvals DATE		DRWN ENG CHK Q.A.	
0.8-4.2GHz 功率放大器 Power Amplifier 增益 Gain 50dB				SCALE 3:2		UNIT mm	
SIZE A3		CAGE NO		DWG NO.		REV 1	
SHEET 1 OF 1				SHEET 1 OF 1			