

NOTES:UNLESSOTHERWISE SPECIFIED
THIS IS A CAD GENERATED DRAWING,DO NOT REVISE MANUALLY

REVISION HISTORY					
ZONE	REV	DESCRIPTION	E.C.O.NO	DATE	APPROVED
	1	ENGINEERING RELEASE			

LAP-1010

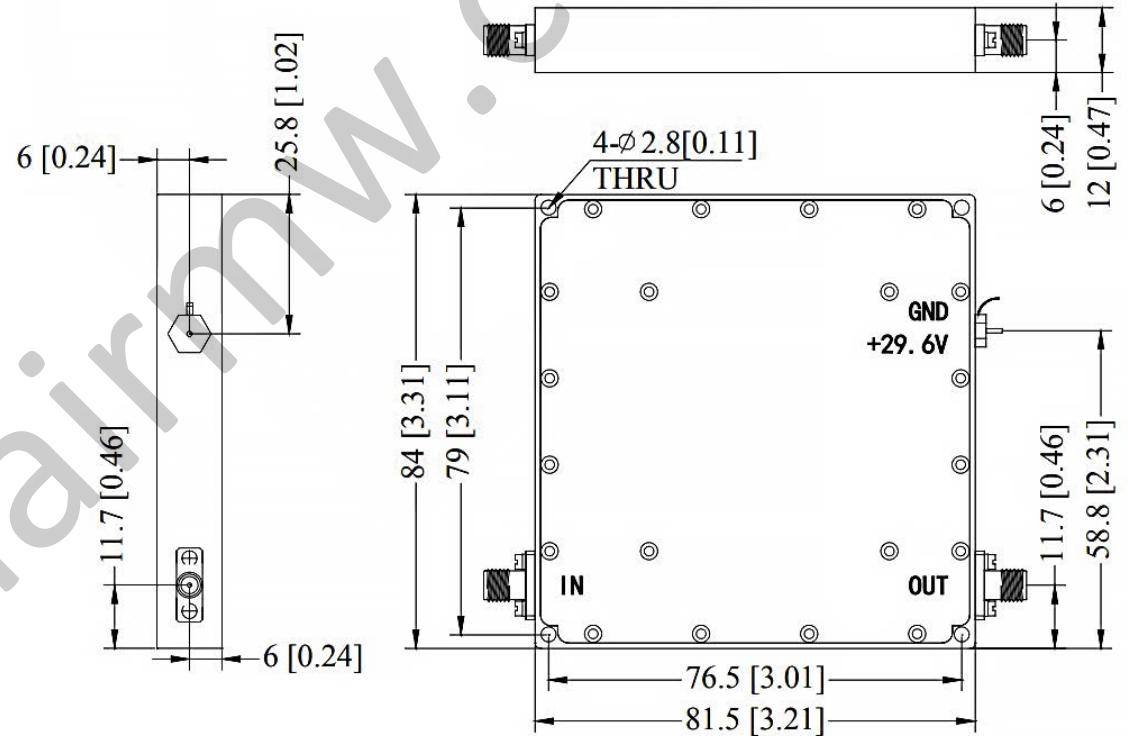
0.7 – 3.0 GHz 7W 功率放大器 Power Amplifier

—电气技术参数 Electrical Specifications—

频率范围 Frequency Range:	0.7 – 3.0 GHz
增益 Gain:	41dB
输出 P _{1dB} Output P _{1dB} :	36dBm
饱和输出功率 Psat:	39dBm
输入驻波比 Input VSWR:	1.5:1
输出驻波比 Output VSWR:	/
直流偏置电压 DC Power Supply:	+29.6V
直流偏置电流 DC Current Supply:	800mA
工作温度 Operation Temperature:	-40 ~ +85°C
存储温度 Storage Temperature:	-50 ~ +105°C

—机械技术参数 Mechanical Specifications—

输入连接器 Input Interface:	SMA-F
输出连接器 Output Interface:	SMA-F
尺寸 Size (excluding connectors):	/
重量 Weight:	/



UNLESS OTHERWISE SPECIFIED DIMENSIONS ARE MILLIMETER TOLERANCES ARE: DECIMALS ANGLES FRACTIONS .XX±0.03 ±1' ±2/5 .XXX±0.012				 www.lairmw.com sales@lairmw.com		P/N: LAP-1010	
HOLE DIAMETER .35 TO 3.20 3.21 TO 6.35 6.36 TO 12.70 12.71 TO 19.05 19.06 TO 25.40 25.41 TO 50.80		TOLERANCES +.05/-02 +.10/-03 +.15/-03 +.20/-03 +.25/-03 +.30/-03		Approvals DRWN ENG CHK Q.A.		DATE 0.7 - 3.0GHz 功率放大器 Power Amplifier 增益 Gain 41dB	
SIZE A3		CAGE NO		DWG NO.		REV 1	
SCALE 3:2		UNIT mm		SHEET 1 OF 1			