

NOTES:UNLESS OTHERWISE SPECIFIED
THIS IS A CAD GENERATED DRAWING,DO NOT REVISE MANUALLY

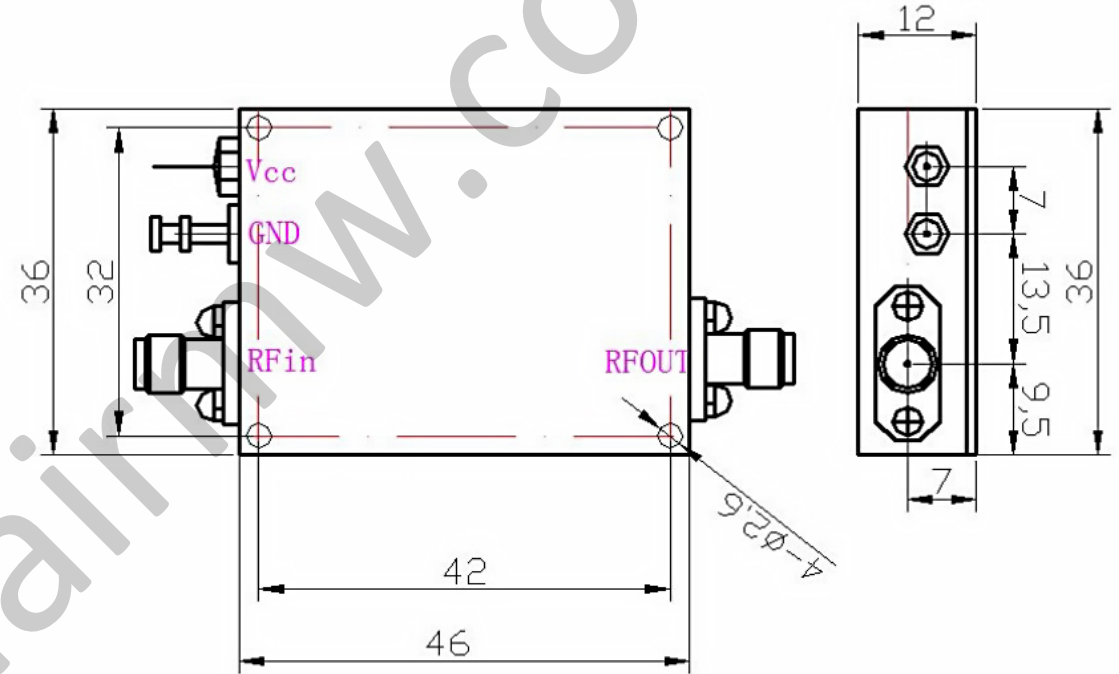
REVISION HISTORY					
ZONE	REV	DESCRIPTION	E.C.O.NO	DATE	APPROVED
	1	ENGINEERING RELEASE			

LAL-7001

1.0 – 26.5 GHz 宽带低噪声放大器 Broadband Low Noise Amplifier

—电气技术参数 Electrical Specifications—

频率范围 Frequency Range:	1.0 – 26.5 GHz
增益 Gain:	27dB(Min)
增益平坦度 Gain Flatness:	±2.5dBm
噪声系数 Noise Figure:	3.5dB
输出 OIP3 Output OIP3:	25dBm
饱和输出功率 Psat:	15dBm
输出杂波抑制 Output Spurious Suppression:	60dBc
谐波抑制 Harmonic Suppression:	15dBc
最大输入功率 Maximum Input Power:	+5dBm
输入输出驻波比 Input/Output VSWR:	1.8(Typ)/ 2.2(Max)
直流偏置电压 DC Supply Voltage:	+9~+15V
直流偏置电流 DC Supply Current:	150mA
工作温度 Operation Temperature:	-55 ~ +85°C
存储温度 Storage Temperature:	-55 ~ +85 °C



—机械技术参数 Mechanical Specifications—

输入连接器 Input Interface:	SMA-KF
输出连接器 Output Interface:	SMA-KF
尺寸 Size (excluding connectors):	/
重量 Weight:	/

UNLESS OTHERWISE SPECIFIED DIMENSIONS ARE MILLIMETER TOLERANCES ARE: DECIMALS ANGLES FRACTIONS .XX±0.03 ±1' ±2/5 .XXX±0.012				 www.lairmw.com sales@lairmw.com		P/N: LAL-7001																											
<table border="1"> <tr> <td>Approvals</td> <td>DATE</td> </tr> <tr> <td>DRWN</td> <td>24/10/14</td> </tr> <tr> <td>ENG</td> <td></td> </tr> <tr> <td>CHK</td> <td></td> </tr> <tr> <td>Q.A.</td> <td></td> </tr> </table>		Approvals	DATE	DRWN	24/10/14	ENG		CHK		Q.A.		<table border="1"> <tr> <td colspan="2">1.0 - 26.5GHz 宽带低噪声放大器Broadband Low Noise Amplifier 增益 Gain 27dB,噪声系数Noise Figure 3.5dB</td> </tr> <tr> <td>SIZE</td> <td>A3</td> </tr> <tr> <td>SCALE</td> <td>3:2</td> </tr> </table>		1.0 - 26.5GHz 宽带低噪声放大器Broadband Low Noise Amplifier 增益 Gain 27dB,噪声系数Noise Figure 3.5dB		SIZE	A3	SCALE	3:2	<table border="1"> <tr> <td>CAGE NO</td> <td>DWG NO.</td> <td>REV</td> </tr> <tr> <td></td> <td></td> <td>1</td> </tr> <tr> <td>UNIT</td> <td colspan="2">SHEET 1 OF 1</td> </tr> <tr> <td>mm</td> <td colspan="2"></td> </tr> </table>		CAGE NO	DWG NO.	REV			1	UNIT	SHEET 1 OF 1		mm		
Approvals	DATE																																
DRWN	24/10/14																																
ENG																																	
CHK																																	
Q.A.																																	
1.0 - 26.5GHz 宽带低噪声放大器Broadband Low Noise Amplifier 增益 Gain 27dB,噪声系数Noise Figure 3.5dB																																	
SIZE	A3																																
SCALE	3:2																																
CAGE NO	DWG NO.	REV																															
		1																															
UNIT	SHEET 1 OF 1																																
mm																																	