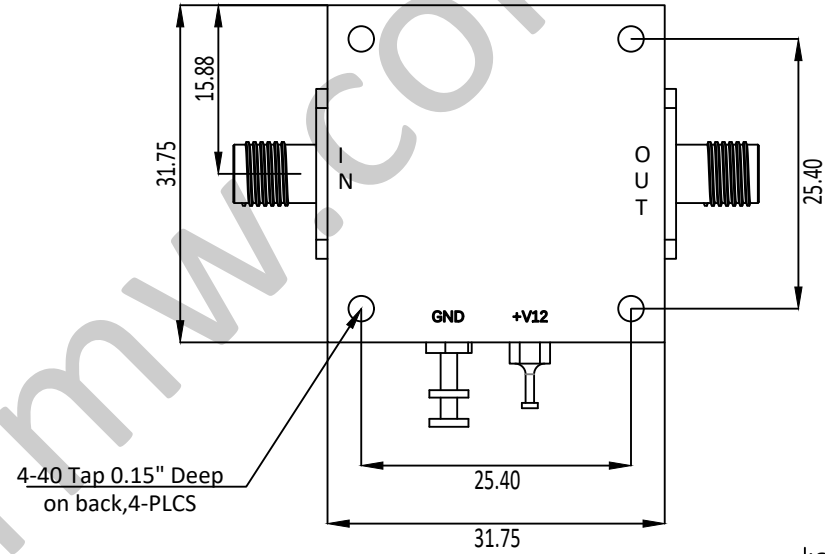
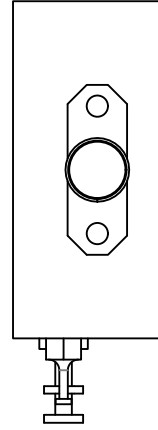
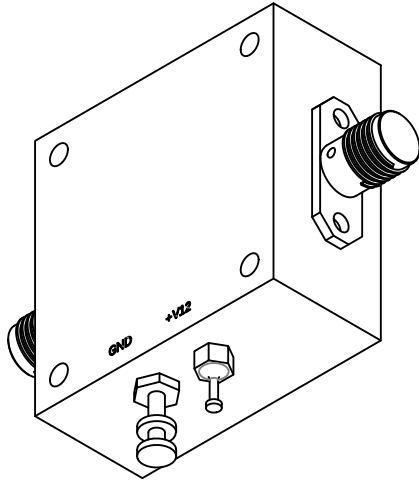
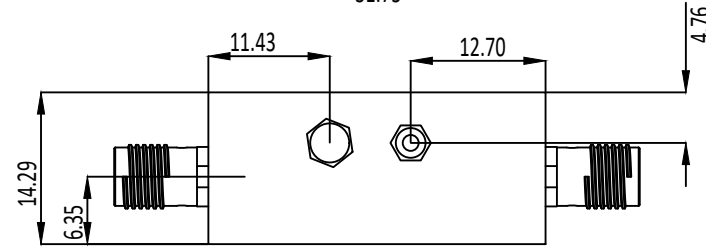


NOTES:UNLESS OTHERWISE SPECIFIED
THIS IS A CAD GENERATED DRAWING,DO NOT REVISE MANUALLY

REVISION HISTORY					
ZONE	REV	DESCRIPTION	E.C.O.NO	DATE	APPROVED
	1	ENGINEERING RELEASE			



4-40 Tap 0.15" Deep
on back,4-PLCS



LAL-5164

0.902 - 0.928 GHz低噪声放大器Low Noise Amplifier

—电气技术参数Electrical Specifications—

频率范围 Frequency Range:	0.902 - 0.928 GHz
增益 Gain:	24dB
增益平坦度 Gain Flatness:	±0.4dB
噪声系数 Noise Figure:	1.2dB
输出 P_{1dB} Output P_{1dB} :	13dBm
输入驻波比 Input VSWR:	2.4:1
输出驻波比 Output VSWR:	1.4:1
直流偏置电压 DC Supply Voltage:	+12V
直流偏置电流 DC Supply Current:	85mA
工作温度 Operation Temperature:	-40~+85°C
存储温度 Storage Temperature:	-55~+125°C

—机械技术参数Mechanical Specification—

输入连接器 Input Interface:	SMA-F
输出连接器 Output Interface:	SMA-F
尺寸 Size(excluding connectors):	/
重量 Weight:	/

UNLESS OTHERWISE SPECIFIED DIMENSIONS ARE MILLIMETER TOLERANCES ARE: DECIMALS ANGLES FRACTIONS .XX±0.03 ±1' ±2/5 .XXX±0.012						P/N: LAL-5164	
		Approvals		DATE		www.lairm.com sales@lairm.com	
HOLE DIAMETER .35 TO 3.20 3.21 TO 6.35 6.36 TO 12.70 12.71 TO 19.05 19.06 TO 25.40 25.41 TO 50.80		TOLERANCES +.05/-02 +.10/-03 +.15/-03 +.20/-03 +.25/-03 +.30/-03		DRWN		0.902 - 0.928 GHz 低噪声放大器Low Noise Amplifier 增益 Gain 24dB, 噪声系数 NF 1.2dB	
		ENG		CHK		SIZE A3	
		Q.A.		SCALE 3:2		CAGE NO	
				UNIT mm		DWG NO.	
				SHEET 1 OF 1		REV 1	