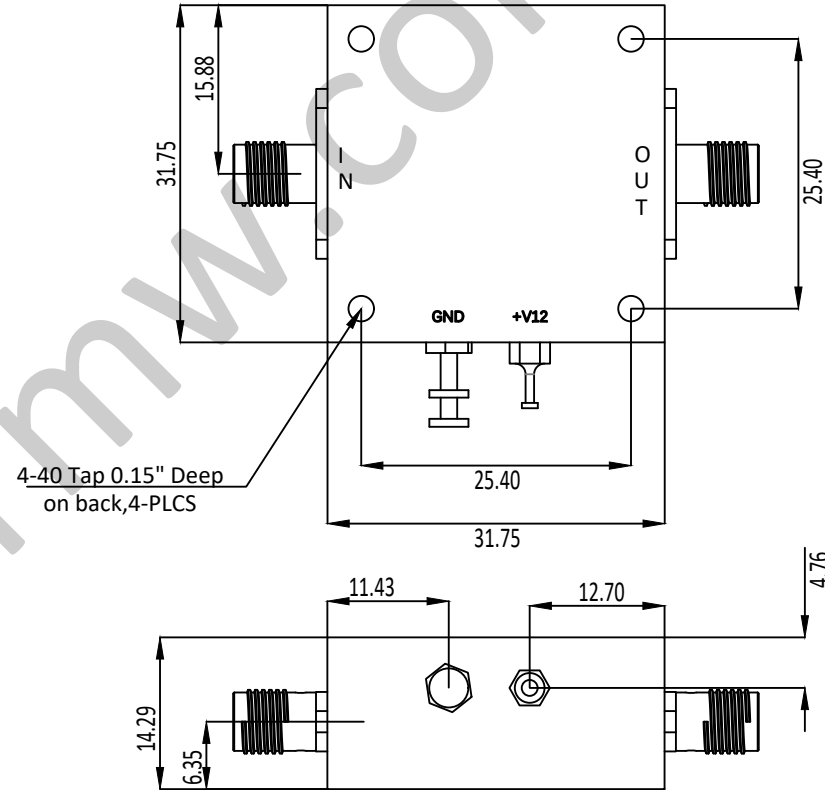
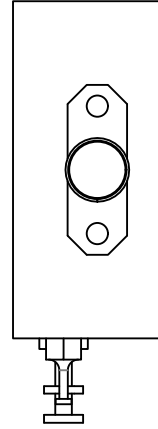
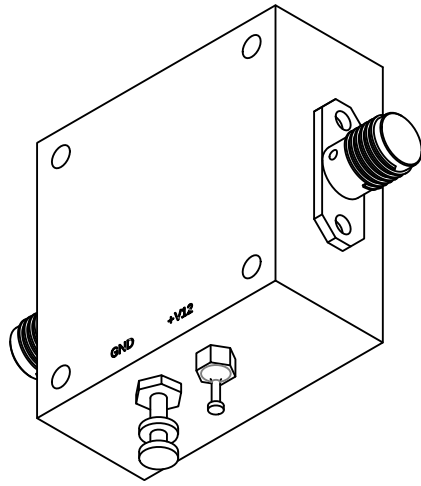


NOTES: UNLESS OTHERWISE SPECIFIED
THIS IS A CAD GENERATED DRAWING, DO NOT REVISE MANUALLY

REVISION HISTORY					
ZONE	REV	DESCRIPTION	E.C.O.NO	DATE	APPROVED
	1	ENGINEERING RELEASE			



LAL-5157

0.225 - 0.4 GHz 低噪声放大器 Low Noise Amplifier

—电气技术参数 Electrical Specifications—

频率范围 Frequency Range:	0.225 - 0.4 GHz
增益 Gain:	21dB
增益平坦度 Gain Flatness:	±0.3dB
噪声系数 Noise Figure:	0.8dB
输出 P_{1dB} Output P_{1dB} :	17dBm
输入驻波比 Input VSWR:	1.2:1
输出驻波比 Output VSWR:	1.4:1
直流偏置电压 DC Supply Voltage:	+12V
直流偏置电流 DC Supply Current:	75mA
工作温度 Operation Temperature:	-40~+85°C
存储温度 Storage Temperature:	-55~+125°C

—机械技术参数 Mechanical Specification—

输入连接器 Input Interface:	SMA-F
输出连接器 Output Interface:	SMA-F
尺寸 Size(excluding connectors):	/
重量 Weight:	/

UNLESS OTHERWISE SPECIFIED DIMENSIONS ARE MILLIMETER TOLERANCES ARE: DECIMALS ANGLES FRACTIONS .XX±0.03 ±1' ±2/5 .XXX±0.012				 www.lairm.com sales@lairm.com		P/N: LAL-5157			
		Approvals	DATE	0.225 - 0.4 GHz 低噪声放大器 Low Noise Amplifier 增益 Gain 21dB, 噪声系数 NF 0.8dB					
HOLE DIAMETER .35 TO 3.20 3.21 TO 6.35 6.36 TO 12.70 12.71 TO 19.05 19.06 TO 25.40 25.41 TO 50.80		TOLERANCES +.05/- .02 +.10/- .03 +.15/- .03 +.20/- .03 +.25/- .03 +.30/- .03		DRWN		SIZE A3	CAGE NO	DWG NO.	REV 1
		ENG		CHK		SCALE 3:2	UNIT mm	SHEET 1 OF 1	
		Q.A.							