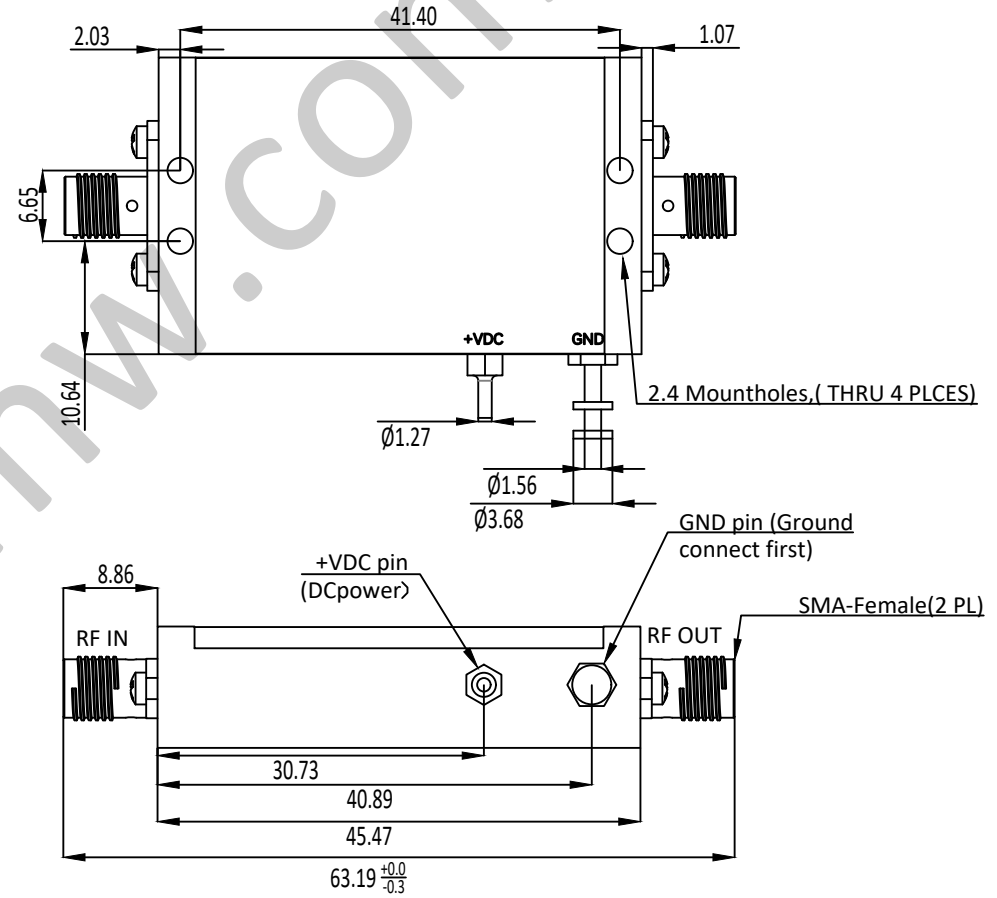
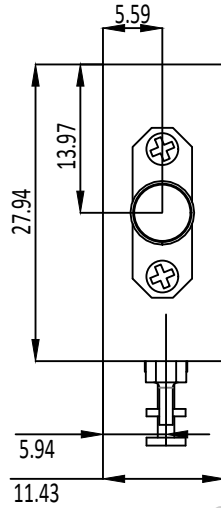
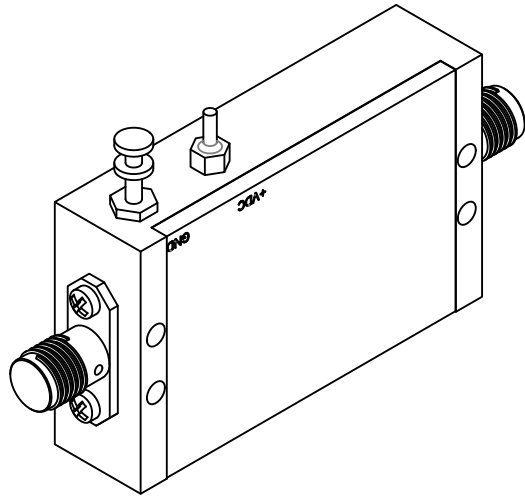


NOTES: UNLESS OTHERWISE SPECIFIED  
THIS IS A CAD GENERATED DRAWING, DO NOT REVISE MANUALLY

REVISION HISTORY					
ZONE	REV	DESCRIPTION	E.C.O.NO	DATE	APPROVED
	1	ENGINEERING RELEASE			



## LAL-5151

0.05 - 8 GHz 低噪声放大器 Low Noise Amplifier

### —电气技术参数 Electrical Specifications—

频率范围 Frequency Range:	0.05 - 8GHz
增益 Gain:	47dB
增益平坦度 Gain Flatness:	±2.0dB
噪声系数 Noise Figure:	2.0dB
输出 $P_{1dB}$ Output $P_{1dB}$ :	19dBm
输入驻波比 Input VSWR:	1.9:1
输出驻波比 Output VSWR:	2.2:1
直流偏置电压 DC Supply Voltage:	+12V
直流偏置电流 DC Supply Current:	240mA
工作温度 Operation Temperature:	-40~+85°C
存储温度 Storage Temperature:	-55~+125°C

### —机械技术参数 Mechanical Specification—

输入连接器 Input Interface:	SMA-F
输出连接器 Output Interface:	SMA-F
尺寸 Size(excluding connectors):	/
重量 Weight:	/

UNLESS OTHERWISE SPECIFIED DIMENSIONS ARE MILLIMETER TOLERANCES ARE: DECIMALS ANGLES FRACTIONS .XX±0.03 ±1' ±2/5 .XXX±0.012				莱尔微波 www.lairmw.com sales@lairmw.com		P/N: LAL-5151	
APPROVALS: _____ DATE: _____ DRWN: _____ ENG: _____ CHK: _____ Q.A.: _____		0.05 - 8 GHz 低噪声放大器 Low Noise Amplifier 增益 Gain 47dB, 噪声系数 NF 2.0dB					
HOLE DIAMETER .35 TO 3.20 +.05/-02 3.21 TO 6.35 +.10/-03 6.36 TO 12.70 +.15/-03 12.71 TO 19.05 +.20/-03 19.06 TO 25.40 +.25/-03 25.41 TO 50.80 +.30/-03		TOLERANCES +.05/-02 +.10/-03 +.15/-03 +.20/-03 +.25/-03 +.30/-03		SIZE	CAGE NO	DWG NO.	REV
				A3			1
				SCALE	UNIT	SHEET 1 OF 1	
				3:2	mm		