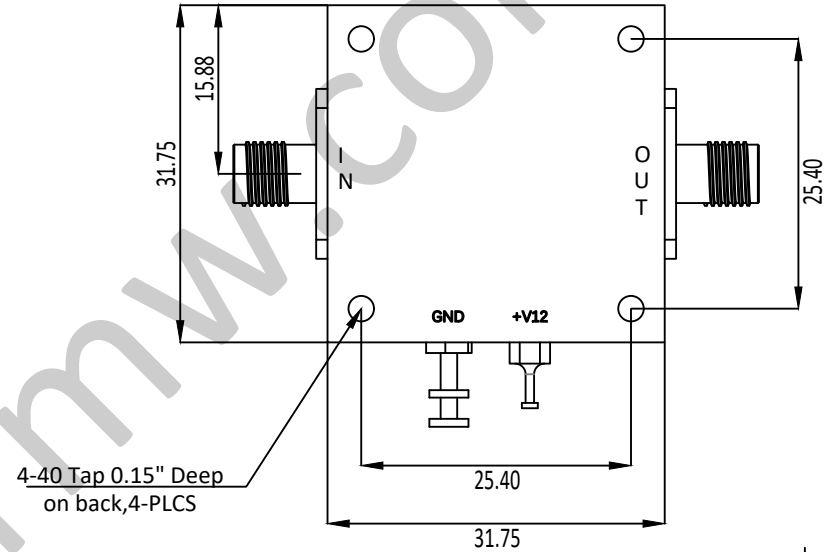
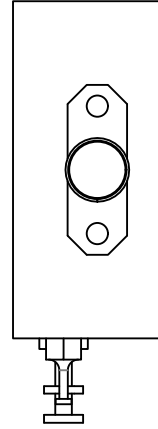
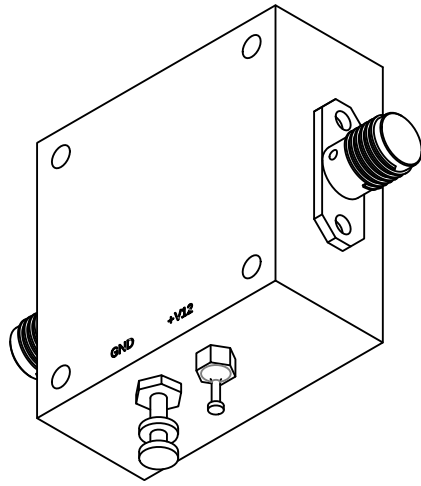
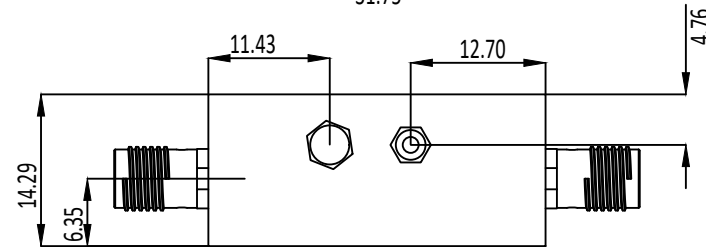


NOTES:UNLESS OTHERWISE SPECIFIED
THIS IS A CAD GENERATED DRAWING,DO NOT REVISE MANUALLY

REVISION HISTORY					
ZONE	REV	DESCRIPTION	E.C.O.NO	DATE	APPROVED
	1	ENGINEERING RELEASE			



4-40 Tap 0.15" Deep
on back,4-PLCS



LAL-5146

0.04 - 3 GHz 低噪声放大器 Low Noise Amplifier

—电气技术参数 Electrical Specifications—

频率范围 Frequency Range:	0.04 - 3 GHz
增益 Gain:	17.5dB
增益平坦度 Gain Flatness:	/
噪声系数 Noise Figure:	1.3dB
输出 P _{1dB} Output P _{1dB} :	19dBm
输入驻波比 Input VSWR:	2.0:1
输出驻波比 Output VSWR:	2.0:1
直流偏置电压 DC Supply Voltage:	+5V
直流偏置电流 DC Supply Current:	60mA
工作温度 Operation Temperature:	-40~+85°C
存储温度 Storage Temperature:	-55~+125°C

—机械技术参数 Mechanical Specification—

输入连接器 Input Interface:	SMA-F
输出连接器 Output Interface:	SMA-F
尺寸 Size(excluding connectors):	/
重量 Weight:	/

UNLESS OTHERWISE SPECIFIED DIMENSIONS ARE MILLIMETER TOLERANCES ARE: DECIMALS ANGLES FRACTIONS .X±0.1 ±1° ±2/5 .XX±0.03 .XXX±0.012				莱尔微波 www.lairmw.com sales@lairmw.com		P/N: LAL-5146	
HOLE DIAMETER .35 TO 3.20 3.21 TO 6.35 6.36 TO 12.70 12.71 TO 19.05 19.06 TO 25.40 25.41 TO 50.80		TOLERANCES +0.05/-0.02 +0.10/-0.03 +0.15/-0.03 +0.20/-0.03 +0.25/-0.03 +0.30/-0.03		Approvals DRWN ENG CHK Q.A.		DATE 0.04 - 3 GHz 低噪声放大器 Low Noise Amplifier 增益 Gain 17.5dB, 噪声系数 NF 1.3dB	
				SIZE A3		CAGE NO.	
				SCALE 3:2		UNIT mm	
				DWG NO.		REV 1	
				SHEET 1 OF 1			