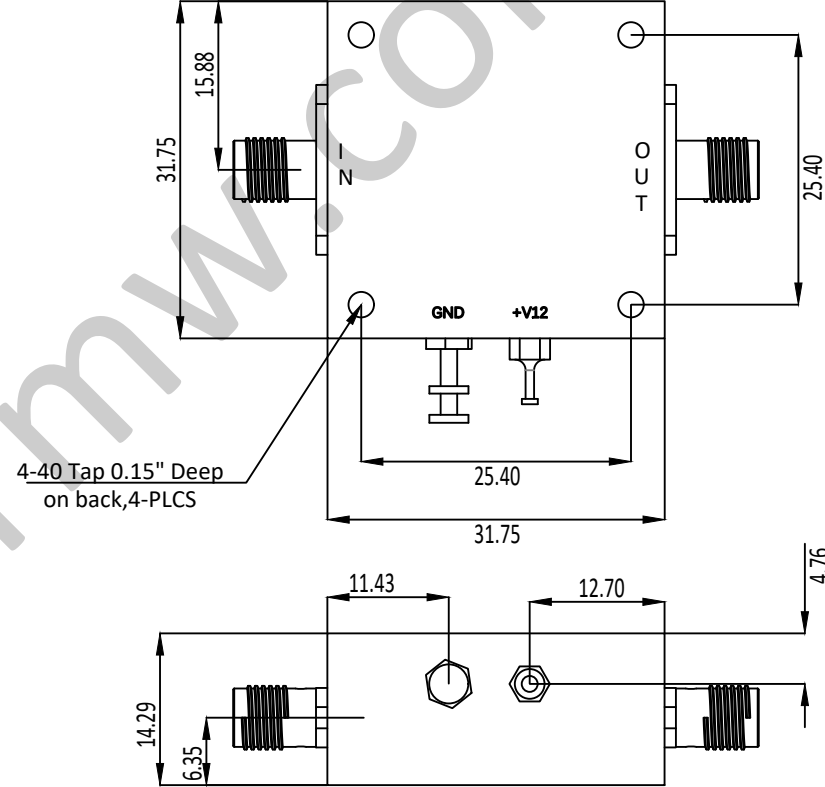
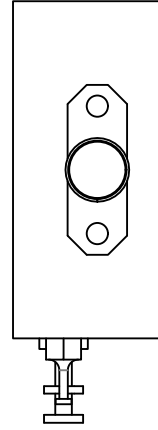
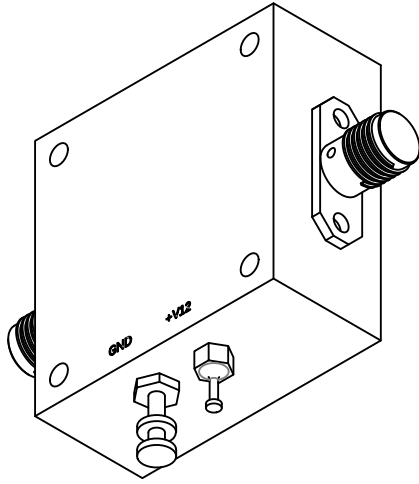


NOTES:UNLESS OTHERWISE SPECIFIED
THIS IS A CAD GENERATED DRAWING,DO NOT REVISE MANUALLY

REVISION HISTORY					
ZONE	REV	DESCRIPTION	E.C.O.NO	DATE	APPROVED
	1	ENGINEERING RELEASE			



LAL-5144

0.04 - 3 GHz 低噪声放大器Low Noise Amplifier

—电气技术参数Electrical Specifications—

频率范围Frequency Range:	0.04 - 3 GHz
增益 Gain:	16dB
增益平坦度Gain Flatness:	±1.6dB
噪声系数 Noise Figure:	1.3dB
输出 P_{1dB} Output P_{1dB} :	7dBm
输入驻波比Input VSWR:	1.5:1
输出驻波比Output VSWR:	1.5:1
直流偏置电压DC Supply Voltage:	+3V
直流偏置电流DC Supply Current:	18mA
工作温度Operation Temperature:	-40~+85°C
存储温度Storage Temperature:	-55~+125°C

—机械技术参数Mechanical Specification—

输入连接器Input Interface:	SMA-F
输出连接器Output Interface:	SMA-F
尺寸Size(excluding connectors):	/
重量Weight:	/

UNLESS OTHERWISE SPECIFIED DIMENSIONS ARE MILLIMETER TOLERANCES ARE: DECIMALS ANGLES FRACTIONS .XX±0.03 ±1' ±2/5 .XXX±0.012				 www.lairmw.com sales@lairmw.com		P/N: LAL-5144											
HOLE DIAMETER .35 TO 3.20 3.21 TO 6.35 6.36 TO 12.70 12.71 TO 19.05 19.06 TO 25.40 25.41 TO 50.80		TOLERANCES +.05/-02 +.10/-03 +.15/-03 +.20/-03 +.25/-03 +.30/-03		<table border="1"> <tr> <td>Approvals</td> <td>DATE</td> </tr> <tr> <td>DRWN</td> <td></td> </tr> <tr> <td>ENG</td> <td></td> </tr> <tr> <td>CHK</td> <td></td> </tr> <tr> <td>Q.A.</td> <td></td> </tr> </table>		Approvals	DATE	DRWN		ENG		CHK		Q.A.		0.04 - 3 GHz 低噪声放大器Low Noise Amplifier 增益 Gain 16dB, 噪声系数 NF 1.3dB	
Approvals	DATE																
DRWN																	
ENG																	
CHK																	
Q.A.																	
SIZE A3		CAGE NO		DWG NO.		REV 1											
SCALE 3:2		UNIT mm		SHEET 1 OF 1													