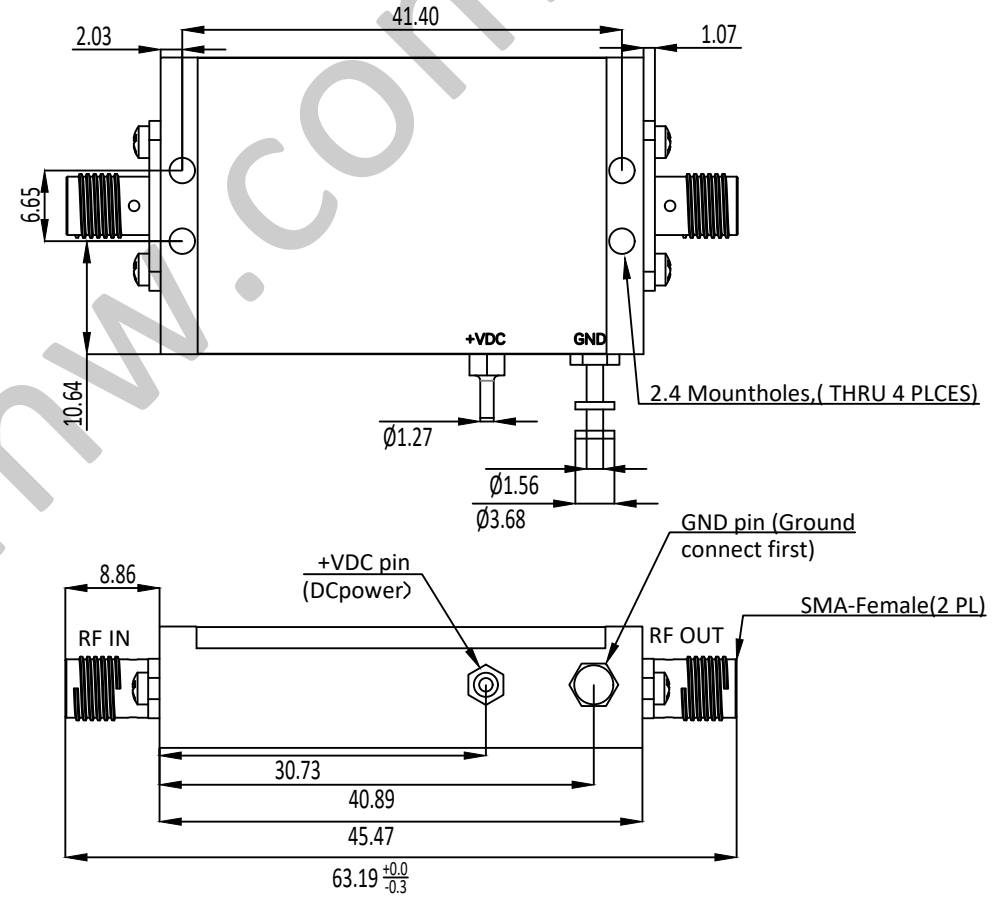
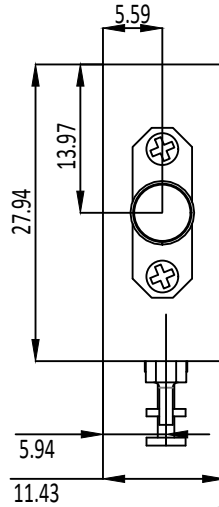
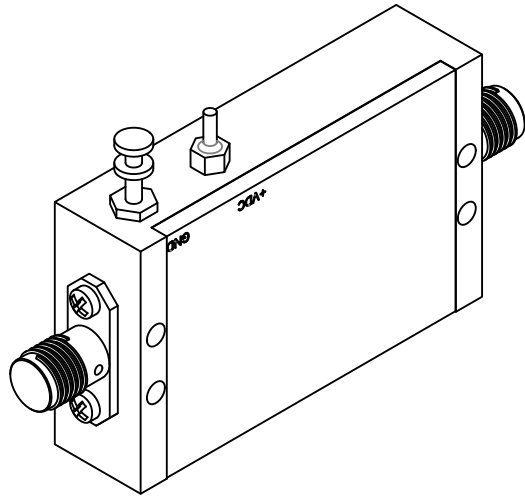


NOTES: UNLESS OTHERWISE SPECIFIED  
THIS IS A CAD GENERATED DRAWING, DO NOT REVISE MANUALLY

REVISION HISTORY					
ZONE	REV	DESCRIPTION	E.C.O.NO	DATE	APPROVED
	1	ENGINEERING RELEASE			



## LAL-5139

0.03 - 6GHz 低噪声放大器 Low Noise Amplifier

### —电气技术参数 Electrical Specifications—

频率范围 Frequency Range:	0.03 - 6GHz
增益 Gain:	47dB
增益平坦度 Gain Flatness:	±2.0dB
噪声系数 Noise Figure:	2.7dB
输出 $P_{1dB}$ Output $P_{1dB}$ :	21dBm
输入驻波比 Input VSWR:	1.5:1
输出驻波比 Output VSWR:	1.7:1
直流偏置电压 DC Supply Voltage:	+12V
直流偏置电流 DC Supply Current:	250mA
工作温度 Operation Temperature:	-40~+85°C
存储温度 Storage Temperature:	-55~+125°C

### —机械技术参数 Mechanical Specification—

输入连接器 Input Interface:	SMA-F
输出连接器 Output Interface:	SMA-F
尺寸 Size(excluding connectors):	/
重量 Weight:	/

UNLESS OTHERWISE SPECIFIED DIMENSIONS ARE MILLIMETER TOLERANCES ARE: DECIMALS ANGLES FRACTIONS .XX±0.03 ±1' ±2/5 .XXX±0.012				 www.lairmw.com sales@lairmw.com		P/N: LAL-5139													
<table border="1"> <tr> <td>Approvals</td> <td>DATE</td> </tr> <tr> <td>DRWN</td> <td></td> </tr> <tr> <td>ENG</td> <td></td> </tr> <tr> <td>CHK</td> <td></td> </tr> <tr> <td>Q.A.</td> <td></td> </tr> </table>		Approvals	DATE	DRWN		ENG		CHK		Q.A.		<p>0.03-6 GHz 低噪声放大器 Low Noise Amplifier 增益 Gain 47dB, 噪声系数 NF 2.7dB</p>							
Approvals	DATE																		
DRWN																			
ENG																			
CHK																			
Q.A.																			
<table border="1"> <tr> <td>HOLE DIAMETER</td> <td>TOLERANCES</td> </tr> <tr> <td>.35 TO 3.20</td> <td>+0.05/-0.02</td> </tr> <tr> <td>3.21 TO 6.35</td> <td>+0.10/-0.03</td> </tr> <tr> <td>6.36 TO 12.70</td> <td>+0.15/-0.03</td> </tr> <tr> <td>12.71 TO 19.05</td> <td>+0.20/-0.03</td> </tr> <tr> <td>19.06 TO 25.40</td> <td>+0.25/-0.03</td> </tr> <tr> <td>25.41 TO 50.80</td> <td>+0.30/-0.03</td> </tr> </table>		HOLE DIAMETER	TOLERANCES	.35 TO 3.20	+0.05/-0.02	3.21 TO 6.35	+0.10/-0.03	6.36 TO 12.70	+0.15/-0.03	12.71 TO 19.05	+0.20/-0.03	19.06 TO 25.40	+0.25/-0.03	25.41 TO 50.80	+0.30/-0.03	SIZE	CAGE NO	DWG NO.	REV
HOLE DIAMETER	TOLERANCES																		
.35 TO 3.20	+0.05/-0.02																		
3.21 TO 6.35	+0.10/-0.03																		
6.36 TO 12.70	+0.15/-0.03																		
12.71 TO 19.05	+0.20/-0.03																		
19.06 TO 25.40	+0.25/-0.03																		
25.41 TO 50.80	+0.30/-0.03																		
		A3			1														
		SCALE	UNIT	SHEET 1 OF 1															
		3:2	mm																