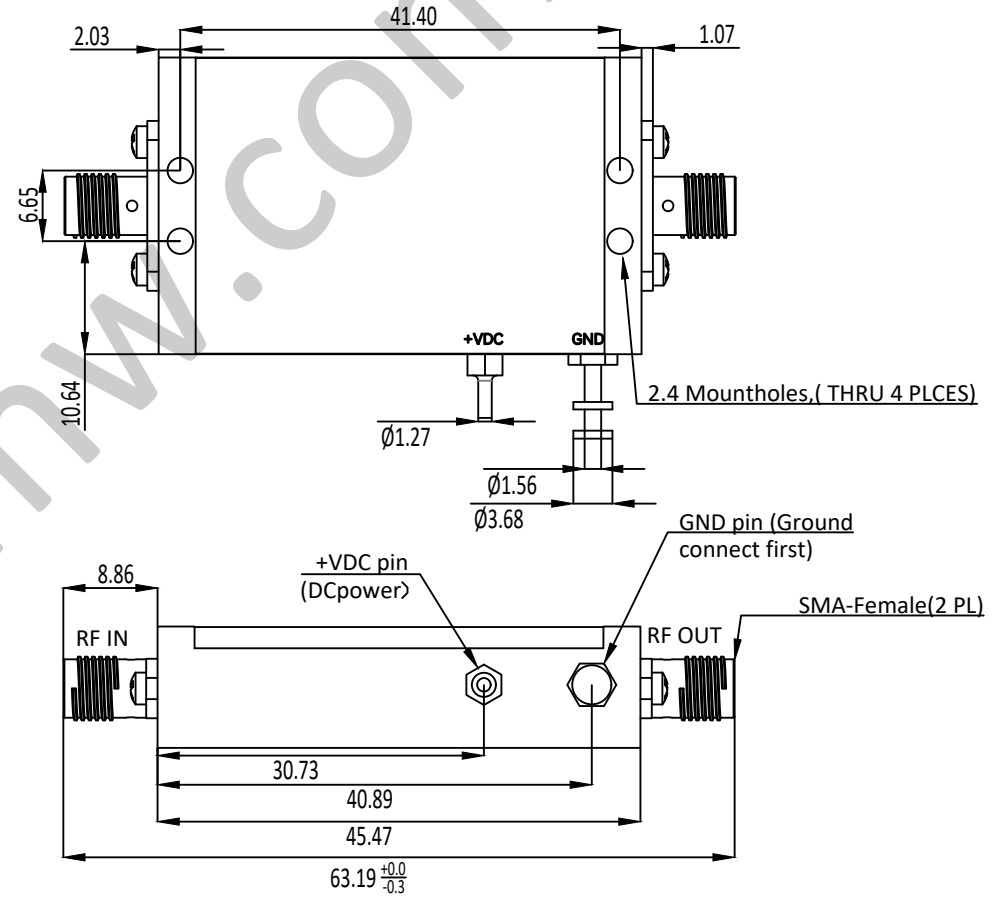
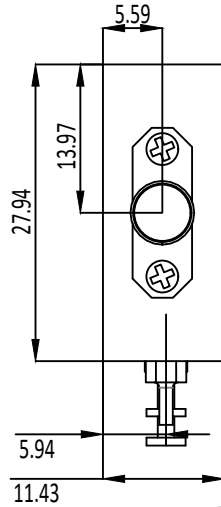
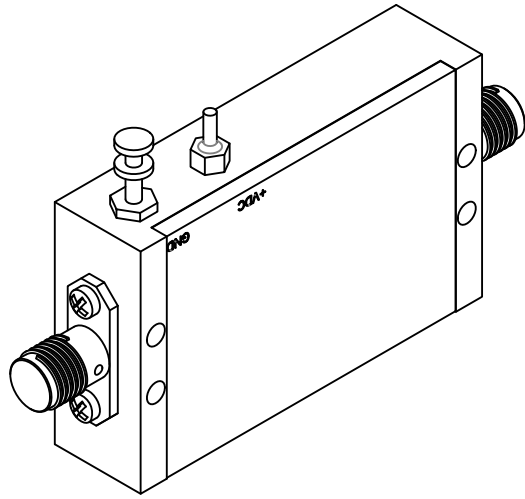


NOTES:UNLESS OTHERWISE SPECIFIED  
THIS IS A CAD GENERATED DRAWING,DO NOT REVISE MANUALLY

| REVISION HISTORY |     |                     |          |      |          |
|------------------|-----|---------------------|----------|------|----------|
| ZONE             | REV | DESCRIPTION         | E.C.O.NO | DATE | APPROVED |
|                  | 1   | ENGINEERING RELEASE |          |      |          |



## LAL-5133

0.02 - 0.6 GHz 低噪声放大器 Low Noise Amplifier

### —电气技术参数 Electrical Specifications—

|                                 |                |
|---------------------------------|----------------|
| 频率范围 Frequency Range:           | 0.02 - 0.6 GHz |
| 增益 Gain:                        | 67dB           |
| 增益平坦度 Gain Flatness:            | ±1.5dB         |
| 噪声系数 Noise Figure:              | 2.2dB          |
| 输出 $P_{1dB}$ Output $P_{1dB}$ : | 18dBm          |
| 输入驻波比 Input VSWR:               | 2.1:1          |
| 输出驻波比 Output VSWR:              | 1.5:1          |
| 直流偏置电压 DC Supply Voltage:       | +12V           |
| 直流偏置电流 DC Supply Current:       | 140mA          |
| 工作温度 Operation Temperature:     | -40~+85°C      |
| 存储温度 Storage Temperature:       | -55~+125°C     |

### —机械技术参数 Mechanical Specification—

|                                |       |
|--------------------------------|-------|
| 输入连接器 Input Interface:         | SMA-F |
| 输出连接器 Output Interface:        | SMA-F |
| 尺寸 Size(excluding connectors): | /     |
| 重量 Weight:                     | /     |

|  |  |  |  |   |  |  |  |  |  |
|--|--|--|--|---|--|--|--|--|--|
| UNLESS OTHERWISE SPECIFIED<br>DIMENSIONS ARE MILLIMETER<br>TOLERANCES ARE:<br>DECIMALS ANGLES FRACTIONS<br>.X±0.1 ±1' ±2/5<br>.XX±0.03<br>.XXX±0.012 |  |  |  |   |  | 莱尔微波<br>www.lairmw.com sales@lairmw.com                                |  | P/N: LAL-5133  |  |
| HOLE DIAMETER<br>.35 TO 3.20<br>3.21 TO 6.35<br>6.36 TO 12.70<br>12.71 TO 19.05<br>19.06 TO 25.40<br>25.41 TO 50.80                                  |  | TOLERANCES<br>+.05/- .02<br>+.10/- .03<br>+.15/- .03<br>+.20/- .03<br>+.25/- .03<br>+.30/- .03 |  | Approvals<br>DATE<br>DRWN<br>ENG<br>CHK<br>Q.A. |  | 0.02-0.6 GHz 低噪声放大器 Low Noise Amplifier<br>增益 Gain 67dB, 噪声系数 NF 2.2dB |  | SIZE A3<br>SCALE 3:2<br>CAGE NO<br>UNIT mm<br>DWG NO.<br>SHEET 1 OF 1<br>REV 1 |  |