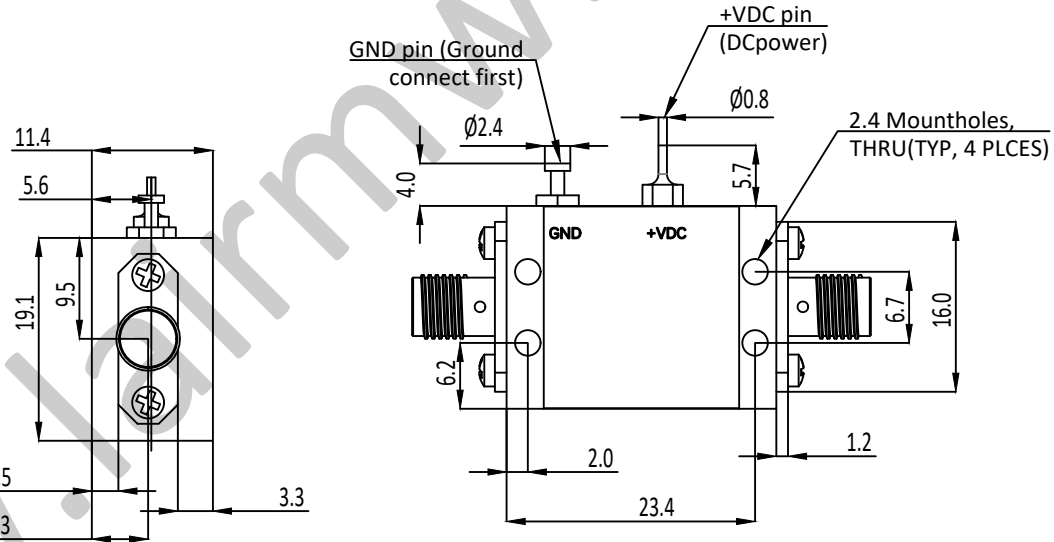
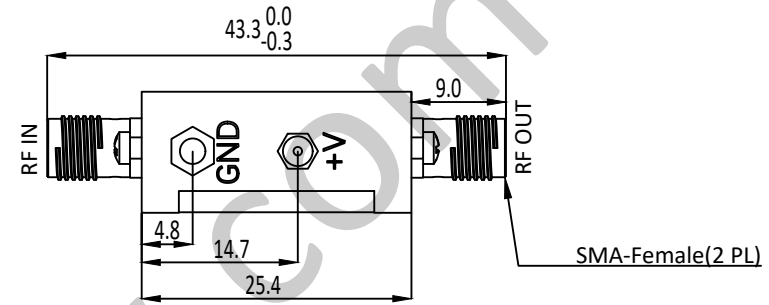
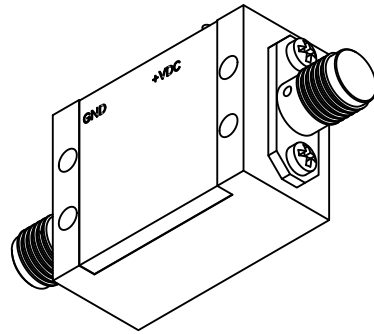


NOTES: UNLESS OTHERWISE SPECIFIED  
THIS IS A CAD GENERATED DRAWING, DO NOT REVISE MANUALLY

REVISION HISTORY					
ZONE	REV	DESCRIPTION	E.C.O.NO	DATE	APPROVED
	1	ENGINEERING RELEASE			



## LAL-5129

0.02 - 6 GHz 低噪声放大器 Low Noise Amplifier

### —电气技术参数 Electrical Specifications—

频率范围 Frequency Range:	0.02 - 6 GHz
增益 Gain:	19dB
增益平坦度 Gain Flatness:	±0.5dB
噪声系数 Noise Figure:	2.0dB
输出 $P_{1dB}$ Output $P_{1dB}$ :	26.5dBm
输入驻波比 Input VSWR:	2.0:1
输出驻波比 Output VSWR:	1.3:1
直流偏置电压 DC Supply Voltage:	+9V
直流偏置电流 DC Supply Current:	200mA
工作温度 Operation Temperature:	-40~+85°C
存储温度 Storage Temperature:	-55~+125°C

### —机械技术参数 Mechanical Specification—

输入连接器 Input Interface:	SMA-F
输出连接器 Output Interface:	SMA-F
尺寸 Size(excluding connectors):	/
重量 Weight:	/

UNLESS OTHERWISE SPECIFIED DIMENSIONS ARE MILLIMETER TOLERANCES ARE: DECIMALS ANGLES FRACTIONS .XX±0.03 ±1' ±2/5 .XXX±0.012				 www.lairmw.com sales@lairmw.com		P/N: LAL-5129	
						0.02-6 GHz 低噪声放大器 Low Noise Amplifier 增益 Gain 19dB, 噪声系数 NF 2.0dB	
HOLE DIAMETER .35 TO 3.20 3.21 TO 6.35 6.36 TO 12.70 12.71 TO 19.05 19.06 TO 25.40 25.41 TO 50.80	TOLERANCES +.05/-02 +.10/-03 +.15/-03 +.20/-03 +.25/-03 +.30/-03	Approvals	DATE	SIZE	CAGE NO	DWG NO.	REV
		DRWN		A3			1
		ENG		SCALE	UNIT	SHEET 1 OF 1	
		CHK		3:2	mm		
		Q.A.					