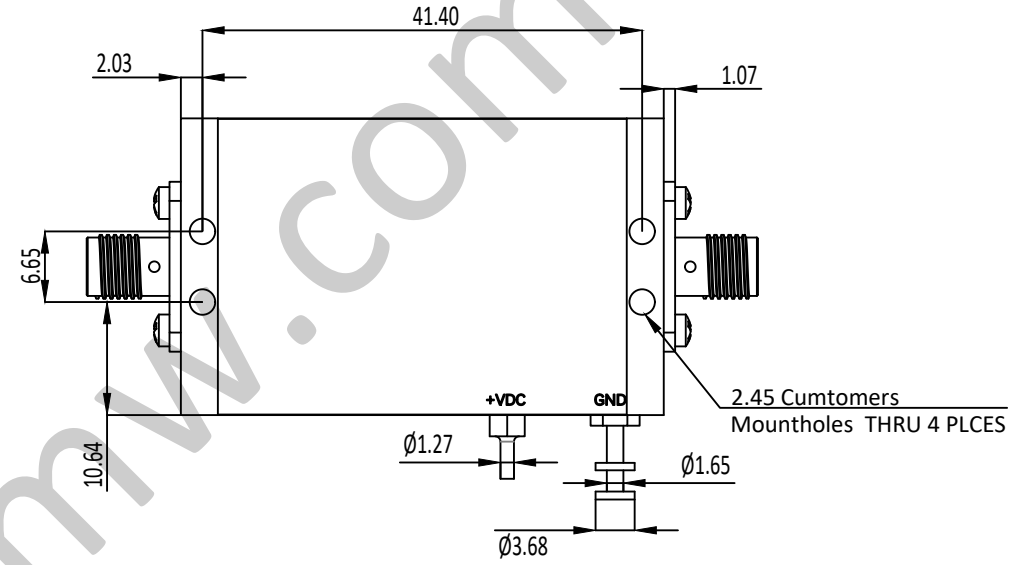
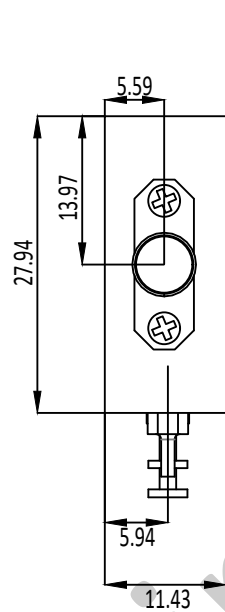
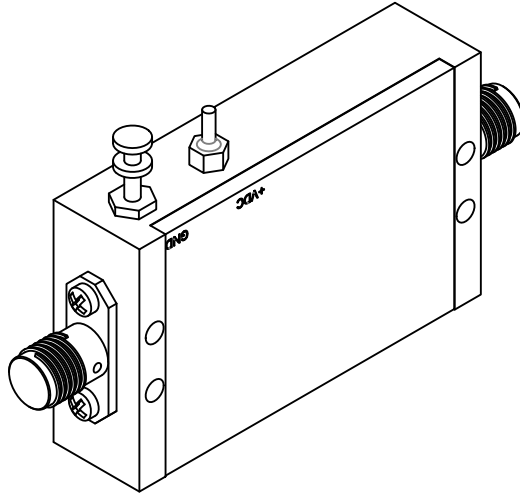


NOTES: UNLESS OTHERWISE SPECIFIED  
THIS IS A CAD GENERATED DRAWING, DO NOT REVISE MANUALLY

REVISION HISTORY					
ZONE	REV	DESCRIPTION	E.C.O.NO	DATE	APPROVED
	1	ENGINEERING RELEASE			



## LAL-5125

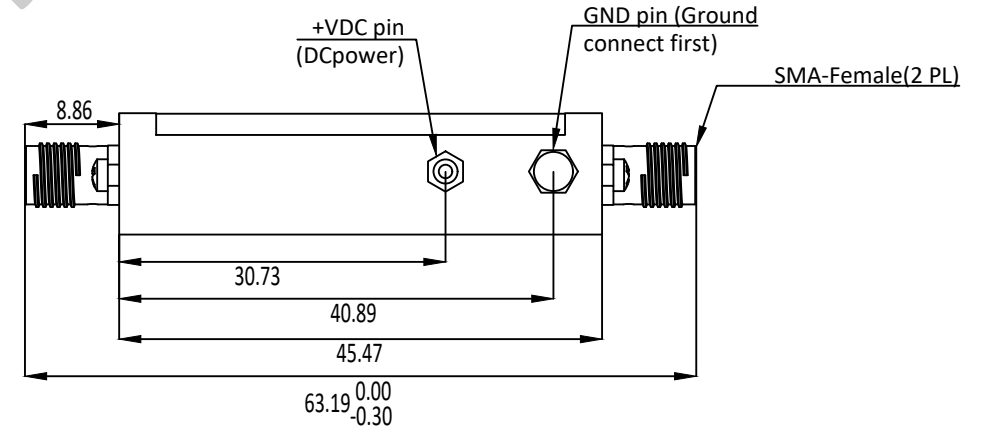
0.02 - 1 GHz 低噪声放大器 Low Noise Amplifier

### —电气技术参数 Electrical Specifications—

频率范围 Frequency Range:	0.02 - 1 GHz
增益 Gain:	30dB
增益平坦度 Gain Flatness:	±0.8dB
噪声系数 Noise Figure:	1.3dB
输出 $P_{1dB}$ Output $P_{1dB}$ :	19dBm
输入驻波比 Input VSWR:	1.4:1
输出驻波比 Output VSWR:	1.2:1
直流偏置电压 DC Supply Voltage:	+12V
直流偏置电流 DC Supply Current:	140mA
工作温度 Operation Temperature:	-40~+85°C
存储温度 Storage Temperature:	-55~+125°C

### —机械技术参数 Mechanical Specification—

输入连接器 Input Interface:	SMA-F
输出连接器 Output Interface:	SMA-F
尺寸 Size(excluding connectors):	/
重量 Weight:	/



UNLESS OTHERWISE SPECIFIED DIMENSIONS ARE MILLIMETER TOLERANCES ARE: DECIMALS ANGLES FRACTIONS .XX±0.03 ±1' ±2/5 .XXX±0.12						P/N: LAL-5125	
APPROVALS DRWN ENG CHK Q.A.		DATE		0.02-1 GHz 低噪声放大器 Low Noise Amplifier 增益 Gain 30dB, 噪声系数 NF 1.3dB			
HOLE DIAMETER .35 TO 3.20 3.21 TO 6.35 6.36 TO 12.70 12.71 TO 19.05 19.06 TO 25.40 25.41 TO 50.80		TOLERANCES +.05/-0.02 +.10/-0.03 +.15/-0.03 +.20/-0.03 +.25/-0.03 +.30/-0.03		SIZE A3	CAGE NO	DWG NO.	REV 1
		SCALE 3:2		UNIT mm		SHEET 1 OF 1	