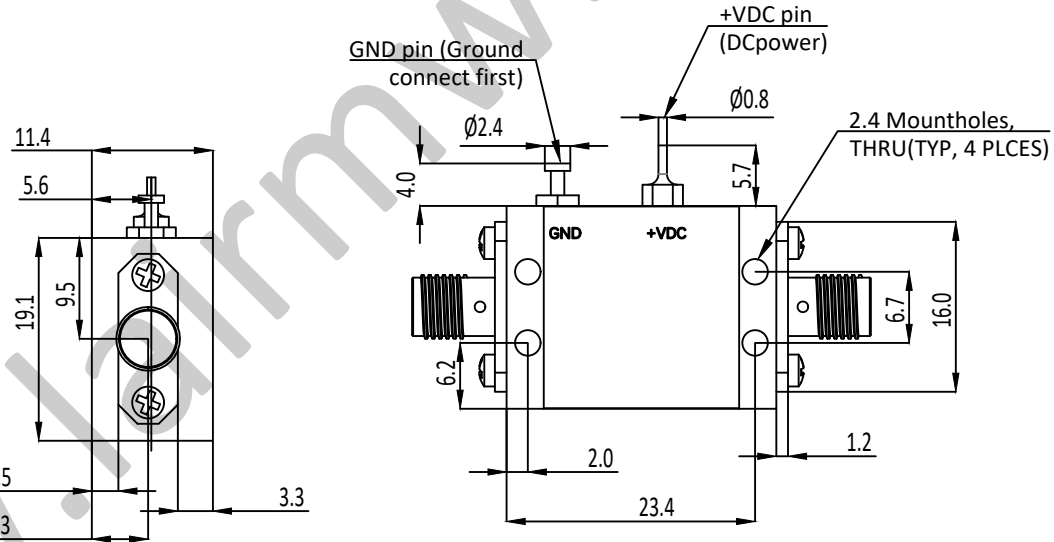
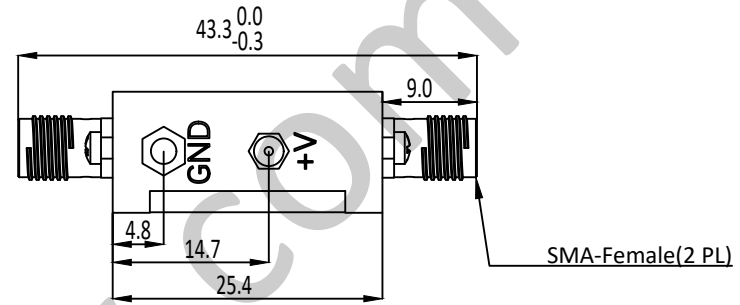
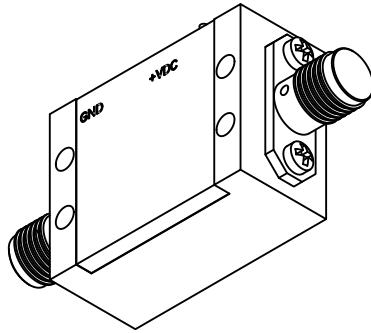


NOTES:UNLESS OTHERWISE SPECIFIED  
THIS IS A CAD GENERATED DRAWING,DO NOT REVISE MANUALLY

REVISION HISTORY					
ZONE	REV	DESCRIPTION	E.C.O.NO	DATE	APPROVED
	1	ENGINEERING RELEASE			



## LAL-5122

17 - 27 GHz 低噪声放大器 Low Noise Amplifier

### —电气技术参数Electrical Specifications—

频率范围 Frequency Range:	17 - 27 GHz
增益 Gain:	18dB
增益平坦度 Gain Flatness:	/
噪声系数 Noise Figure:	2.0dB
输出 $P_{1dB}$ Output $P_{1dB}$ :	14dBm
输入驻波比 Input VSWR:	2.5:1
输出驻波比 Output VSWR:	1.5:1
直流偏置电压 DC Supply Voltage:	+5V
直流偏置电流 DC Supply Current:	95mA
工作温度 Operation Temperature:	-40~+85°C
存储温度 Storage Temperature:	-55~+125°C

### —机械技术参数Mechanical Specification—

输入连接器 Input Interface:	SMA-F
输出连接器 Output Interface:	SMA-F
尺寸 Size(excluding connectors):	/
重量 Weight:	/

UNLESS OTHERWISE SPECIFIED DIMENSIONS ARE MILLIMETER TOLERANCES ARE: DECIMALS ANGLES FRACTIONS .XX±0.03 ±1' ±2/5 .XXX±0.012						 www.lairmw.com sales@lairmw.com		P/N: LAL-5122		
APPROVALS DRWN ENG CHK Q.A.		DATE DATE		17-27 GHz 低噪声放大器 Low Noise Amplifier 增益 Gain 18dB, 噪声系数 NF 2.0dB						
HOLE DIAMETER .35 TO 3.20 3.21 TO 6.35 6.36 TO 12.70 12.71 TO 19.05 19.06 TO 25.40 25.41 TO 50.80		TOLERANCES +.05/- .02 +.10/- .03 +.15/- .03 +.20/- .03 +.25/- .03 +.30/- .03		SIZE A3		CAGE NO		DWG NO.		REV 1
		SCALE 3:2		UNIT mm		SHEET 1 OF 1				