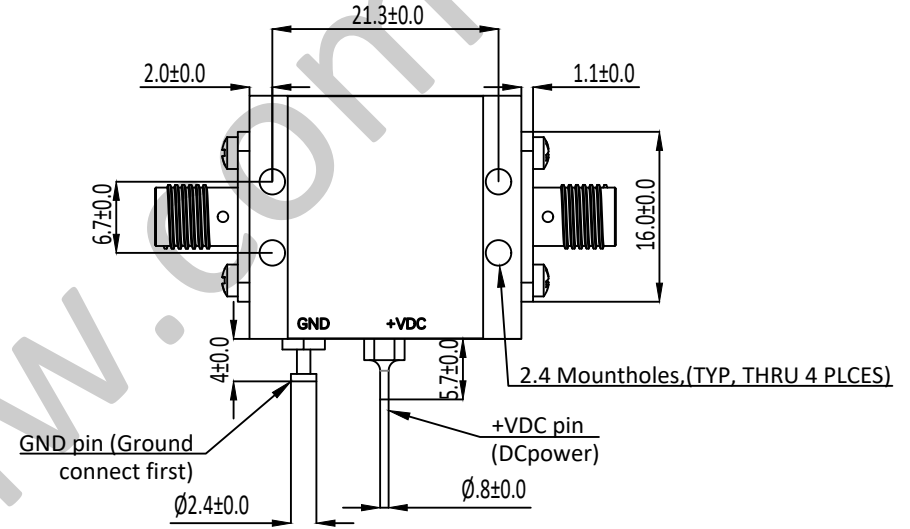
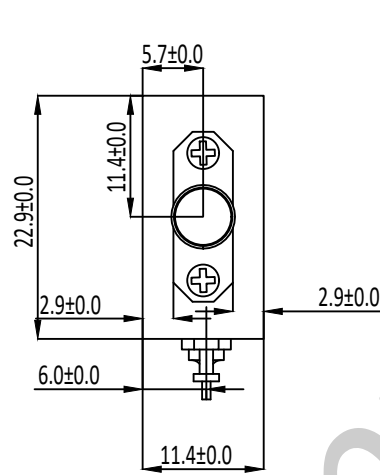
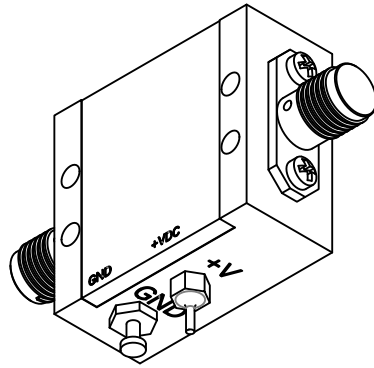


NOTES: UNLESS OTHERWISE SPECIFIED  
THIS IS A CAD GENERATED DRAWING, DO NOT REVISE MANUALLY

REVISION HISTORY					
ZONE	REV	DESCRIPTION	E.C.O.NO	DATE	APPROVED
	1	ENGINEERING RELEASE			



## LAL-5113

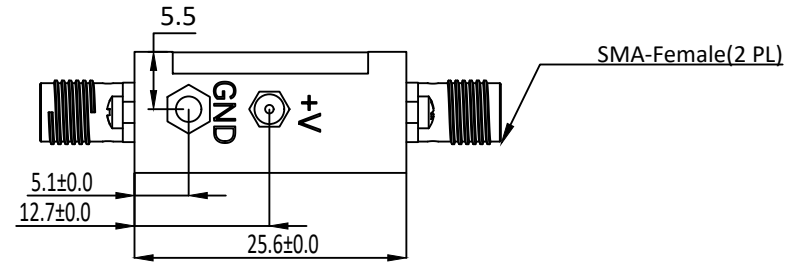
0.01 - 8GHz 低噪声放大器 Low Noise Amplifier

### —电气技术参数 Electrical Specifications—

频率范围 Frequency Range:	0.01 - 10GHz
增益 Gain:	25dB
增益平坦度 Gain Flatness:	±1.8dB
噪声系数 Noise Figure:	3.2dB
输出 $P_{1dB}$ Output $P_{1dB}$ :	16dBm
输入驻波比 Input VSWR:	1.5:1
输出驻波比 Output VSWR:	1.8:1
直流偏置电压 DC Supply Voltage:	+5V
直流偏置电流 DC Supply Current:	125mA
工作温度 Operation Temperature:	-40~+85°C
存储温度 Storage Temperature:	-55~+125°C

### —机械技术参数 Mechanical Specification—

输入连接器 Input Interface:	SMA-F
输出连接器 Output Interface:	SMA-F
尺寸 Size(excluding connectors):	/
重量 Weight:	/



UNLESS OTHERWISE SPECIFIED DIMENSIONS ARE MILLIMETER TOLERANCES ARE: DECIMALS ANGLES FRACTIONS .X±0.1 ±1' ±2/5 .XX±0.03 .XXX±0.012						莱尔微波 www.lairmw.com sales@lairmw.com		P/N: LAL-5113	
HOLE DIAMETER .35 TO 3.20 3.21 TO 6.35 6.36 TO 12.70 12.71 TO 19.05 19.06 TO 25.40 25.41 TO 50.80		TOLERANCES +.05/- .02 +.10/- .03 +.15/- .03 +.20/- .03 +.25/- .03 +.30/- .03		Approvals DRWN ENG CHK Q.A.		DATE 		0.01-8GHz 低噪声放大器 Low Noise Amplifier 增益 Gain 25dB, 噪声系数 NF 3.2dB	
				SIZE A3		CAGE NO		DWG NO.	
				SCALE 3:2		UNIT mm		REV 1	
						SHEET 1 OF 1			