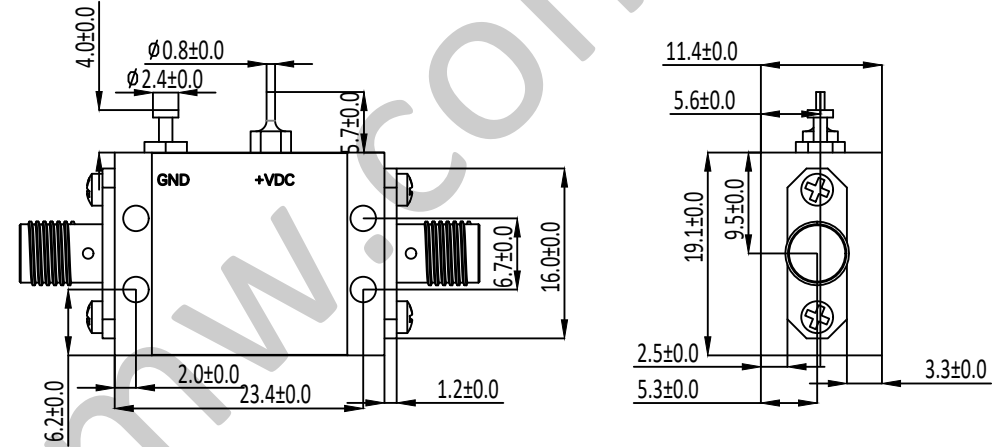
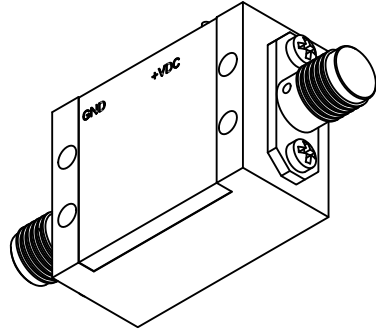


NOTES: UNLESS OTHERWISE SPECIFIED
THIS IS A CAD GENERATED DRAWING, DO NOT REVISE MANUALLY

REVISION HISTORY					
ZONE	REV	DESCRIPTION	E.C.O.NO	DATE	APPROVED
	1	ENGINEERING RELEASE			



LAL-5111

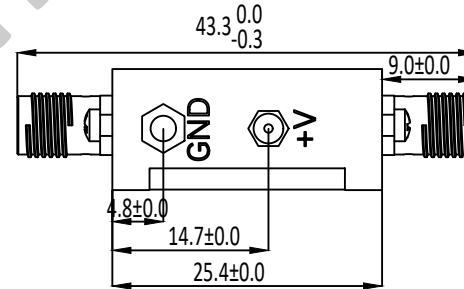
0.01 - 8GHz 低噪声放大器 Low Noise Amplifier

—电气技术参数 Electrical Specifications—

频率范围 Frequency Range:	0.01 - 8GHz
增益 Gain:	20dB
增益平坦度 Gain Flatness:	±0.6dB
噪声系数 Noise Figure:	1.6dB
输出 P_{1dB} Output P_{1dB} :	18dBm
输入驻波比 Input VSWR:	1.4:1
输出驻波比 Output VSWR:	1.9:1
直流偏置电压 DC Supply Voltage:	+5V
直流偏置电流 DC Supply Current:	70mA
工作温度 Operation Temperature:	-40~+85°C
存储温度 Storage Temperature:	-55~+125°C

—机械技术参数 Mechanical Specification—

输入连接器 Input Interface:	SMA-F
输出连接器 Output Interface:	SMA-F
尺寸 Size(excluding connectors):	/
重量 Weight:	/



UNLESS OTHERWISE SPECIFIED DIMENSIONS ARE MILLIMETER TOLERANCES ARE: DECIMALS ANGLES FRACTIONS .XX±0.03 ±1' ±2/5 .XXX±0.012						P/N: LAL-5111																															
				www.lairmw.com sales@lairmw.com		0.01-8GHz 低噪声放大器 Low Noise Amplifier 增益 Gain 20dB, 噪声系数 NF 1.6dB																															
<table border="1"> <tr> <td>HOLE DIAMETER</td> <td>TOLERANCES</td> </tr> <tr> <td>.35 TO 3.20</td> <td>+0.05/-0.02</td> </tr> <tr> <td>3.21 TO 6.35</td> <td>+0.10/-0.03</td> </tr> <tr> <td>6.36 TO 12.70</td> <td>+0.15/-0.03</td> </tr> <tr> <td>12.71 TO 19.05</td> <td>+0.20/-0.03</td> </tr> <tr> <td>19.06 TO 25.40</td> <td>+0.25/-0.03</td> </tr> <tr> <td>25.41 TO 50.80</td> <td>+0.30/-0.03</td> </tr> </table>		HOLE DIAMETER	TOLERANCES	.35 TO 3.20	+0.05/-0.02	3.21 TO 6.35	+0.10/-0.03	6.36 TO 12.70	+0.15/-0.03	12.71 TO 19.05	+0.20/-0.03	19.06 TO 25.40	+0.25/-0.03	25.41 TO 50.80	+0.30/-0.03	<table border="1"> <tr> <td>Approvals</td> <td>DATE</td> </tr> <tr> <td>DRWN</td> <td></td> </tr> <tr> <td>ENG</td> <td></td> </tr> <tr> <td>CHK</td> <td></td> </tr> <tr> <td>Q.A.</td> <td></td> </tr> </table>		Approvals	DATE	DRWN		ENG		CHK		Q.A.		<table border="1"> <tr> <td>SIZE</td> <td>CAGE NO</td> <td>DWG NO.</td> <td>REV</td> </tr> <tr> <td>A3</td> <td></td> <td></td> <td>1</td> </tr> </table>		SIZE	CAGE NO	DWG NO.	REV	A3			1
HOLE DIAMETER	TOLERANCES																																				
.35 TO 3.20	+0.05/-0.02																																				
3.21 TO 6.35	+0.10/-0.03																																				
6.36 TO 12.70	+0.15/-0.03																																				
12.71 TO 19.05	+0.20/-0.03																																				
19.06 TO 25.40	+0.25/-0.03																																				
25.41 TO 50.80	+0.30/-0.03																																				
Approvals	DATE																																				
DRWN																																					
ENG																																					
CHK																																					
Q.A.																																					
SIZE	CAGE NO	DWG NO.	REV																																		
A3			1																																		
		SCALE 3:2		UNIT mm		SHEET 1 OF 1																															