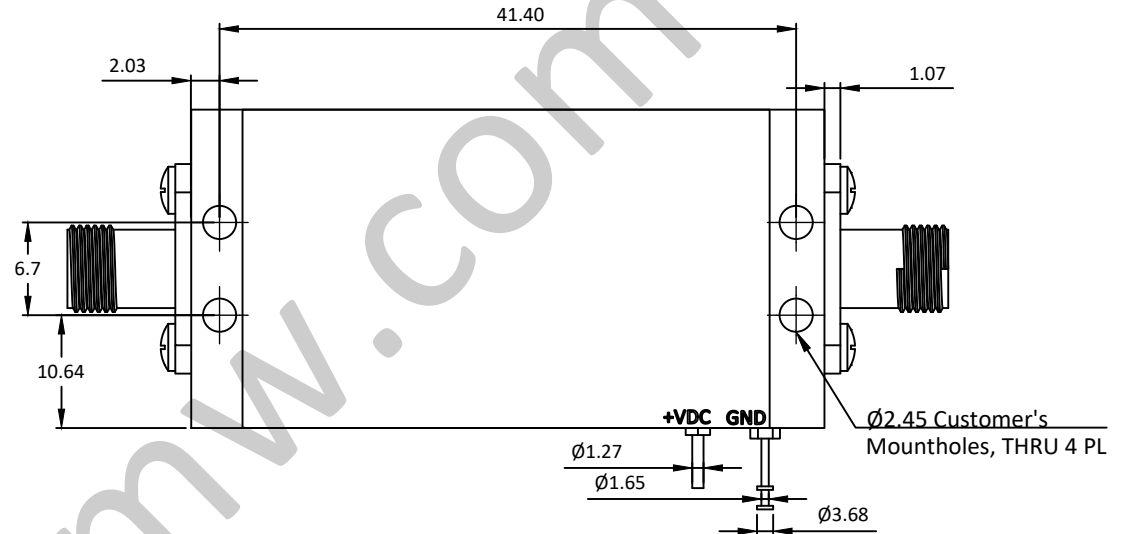
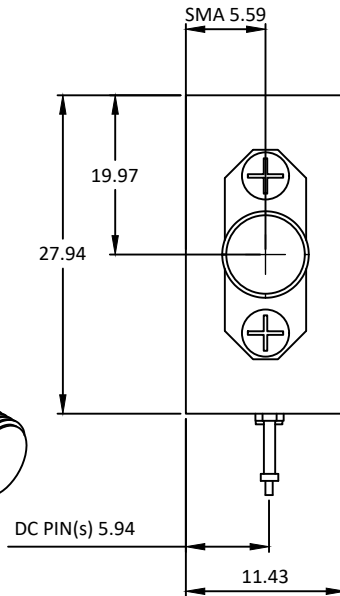
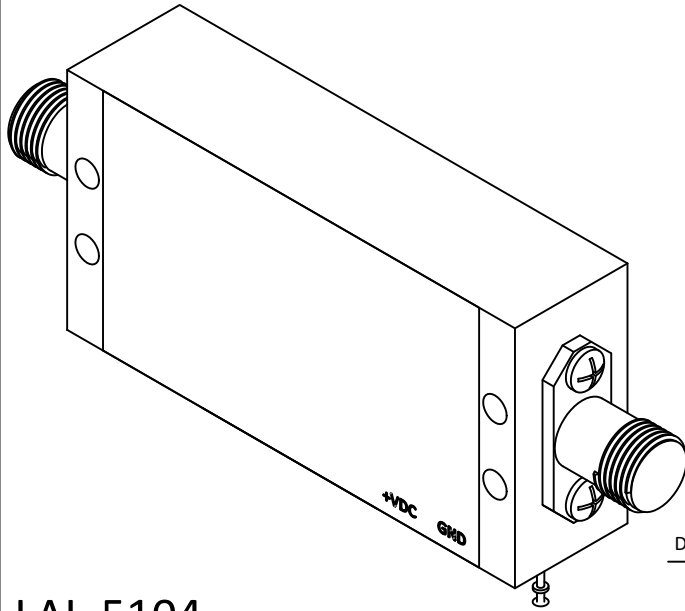


NOTES: UNLESS OTHERWISE SPECIFIED  
THIS IS A CAD GENERATED DRAWING, DO NOT REVISE MANUALLY

| REVISION HISTORY |     |                     |          |      |          |
|------------------|-----|---------------------|----------|------|----------|
| ZONE             | REV | DESCRIPTION         | E.C.O.NO | DATE | APPROVED |
|                  | 1   | ENGINEERING RELEASE |          |      |          |



## LAL-5104

0.01 - 1.5GHz 低噪声放大器 Low Noise Amplifier

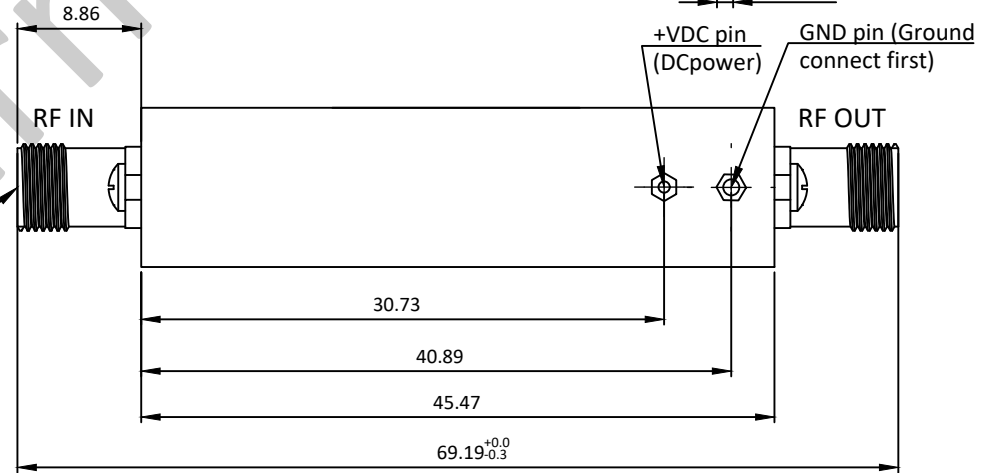
### —电气技术参数 Electrical Specifications—

|   |               |
|---|---------------|
| 频率范围 Frequency Range:                         | 0.01 - 1.5GHz |
| 增益 Gain:                                      | 40dB          |
| 增益平坦度 Gain Flatness:                          | ±6.0dB        |
| 噪声系数 Noise Figure:                            | 1.2dB         |
| 输出 P <sub>1dB</sub> Output P <sub>1dB</sub> : | 26dBm         |
| 输入驻波比 Input VSWR:                             | 2.0:1         |
| 输出驻波比 Output VSWR:                            | 1.5:1         |
| 直流偏置电压 DC Supply Voltage:                     | +12V          |
| 直流偏置电流 DC Supply Current:                     | 290mA         |
| 工作温度 Operation Temperature:                   | -40 ~ +85°C   |
| 存储温度 Storage Temperature:                     | -55 ~ +125°C  |

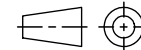
### —机械技术参数 Mechanical Specification—

|                                 |       |
|---------------------------------|-------|
| 输入连接器 Input Interface:          | SMA-F |
| 输出连接器 Output Interface:         | SMA-F |
| 尺寸 Size (excluding connectors): | /     |
| 重量 Weight:                      | /     |

SMA-Female (2 PL)



UNLESS OTHERWISE SPECIFIED  
DIMENSIONS ARE MILLIMETER  
TOLERANCES ARE:  
DECIMALS ANGLES FRACTIONS  
.XX±0.03 ±1' ±2/5  
.XXX±0.012



| Approvals | DATE |
|-----------|------|
| DRWN      |      |
| ENG       |      |
| CHK       |      |
| Q.A.      |      |

莱尔微波  
www.lairmw.com sales@lairmw.com

P/N: LAL-5104

0.01-1.5GHz 低噪声放大器 Low Noise Amplifier  
增益 Gain 40dB, 噪声系数 NF 1.2dB

| SIZE  | CAGE NO | DWG NO.      | REV |
|-------|---------|--------------|-----|
| A3    |         |              | 1   |
| SCALE | UNIT    | SHEET 1 OF 1 |     |
| 3:2   | mm      |              |     |