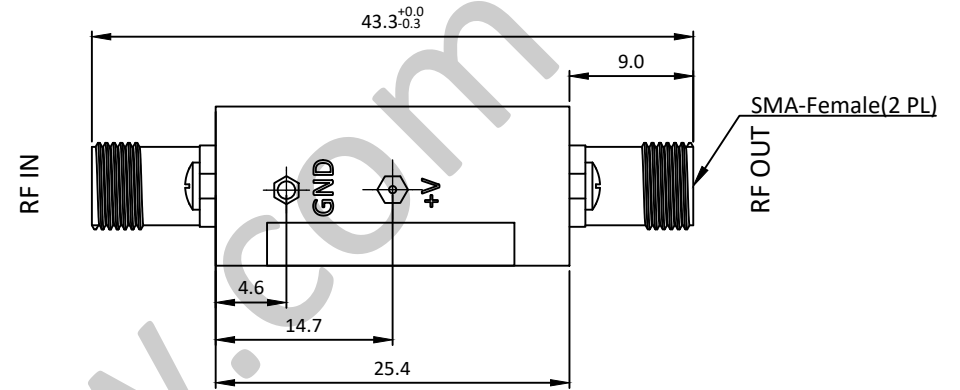
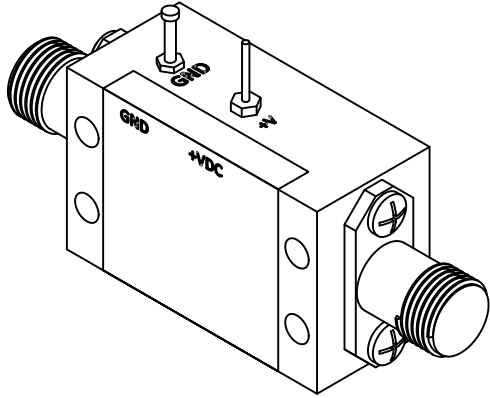


NOTES: UNLESS OTHERWISE SPECIFIED  
THIS IS A CAD GENERATED DRAWING, DO NOT REVISE MANUALLY

REVISION HISTORY					
ZONE	REV	DESCRIPTION	E.C.O.NO	DATE	APPROVED
	1	ENGINEERING RELEASE			

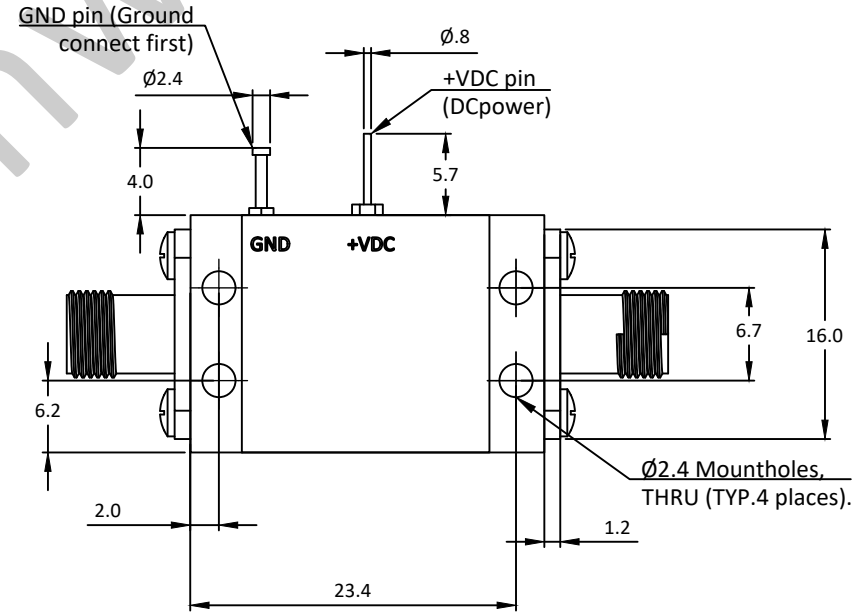
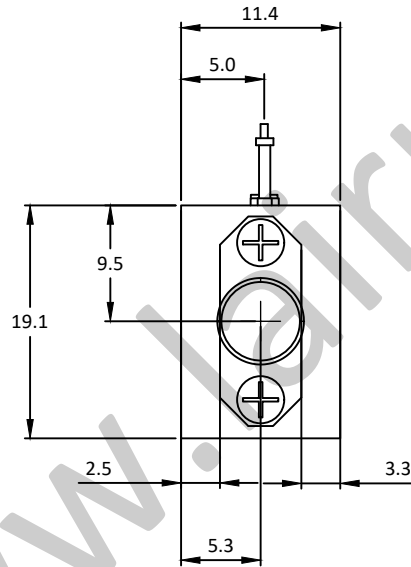


## LAL-5090

9.8 - 11.5GHz 低噪声放大器 Low Noise Amplifier

—电气技术参数 Electrical Specifications—

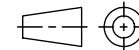
频率范围 Frequency Range:	9.8 - 11.5GHz
增益 Gain:	24dB
增益平坦度 Gain Flatness:	±0.5dB
噪声系数 Noise Figure:	1.4dB
输出 P <sub>1dB</sub> Output P <sub>1dB</sub> :	18dBm
输入驻波比 Input VSWR:	1.5:1
输出驻波比 Output VSWR:	1.5:1
直流偏置电压 DC Supply Voltage:	+5V
直流偏置电流 DC Supply Current:	90mA
工作温度 Operation Temperature:	-40 ~ +85°C
存储温度 Storage Temperature:	-55 ~ +125°C



—机械技术参数 Mechanical Specification—

输入连接器 Input Interface:	SMA-F
输出连接器 Output Interface:	SMA-F
尺寸 Size (excluding connectors):	/
重量 Weight:	/

UNLESS OTHERWISE SPECIFIED  
DIMENSIONS ARE MILLIMETER  
TOLERANCES ARE:  
DECIMALS ANGLES FRACTIONS  
.XX±0.1 ±1' ±2/5  
.XXX±0.03  
.XXX±0.012



Approvals

DATE

DRWN

ENG

CHK

Q.A.



www.lairmw.com sales@lairmw.com

P/N: LAL-5090

9.8-11.5GHz 低噪声放大器 Low Noise Amplifier  
增益 Gain 24dB, 噪声系数 NF 1.4dB

SIZE  
A3

CAGE NO

DWG NO.

REV  
1

SCALE  
3:2

UNIT  
mm

SHEET 1 OF 1

HOLE DIAMETER  
.35 TO 3.20  
3.21 TO 6.35  
6.36 TO 12.70  
12.71 TO 19.05  
19.06 TO 25.40  
25.41 TO 50.80

TOLERANCES  
+05/-02  
+10/-03  
+15/-03  
+20/-03  
+25/-03  
+30/-03