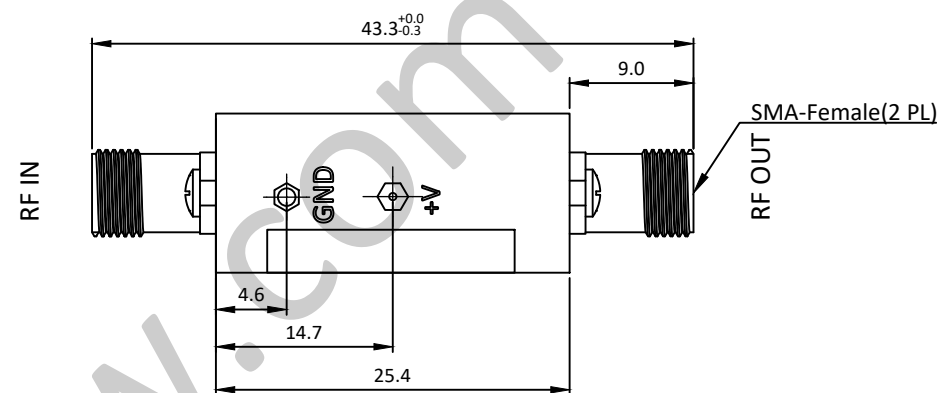
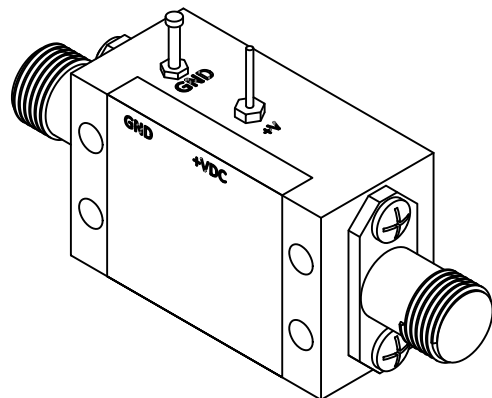


NOTES: UNLESS OTHERWISE SPECIFIED  
THIS IS A CAD GENERATED DRAWING, DO NOT REVISE MANUALLY

REVISION HISTORY					
ZONE	REV	DESCRIPTION	E.C.O.NO	DATE	APPROVED
	1	ENGINEERING RELEASE			

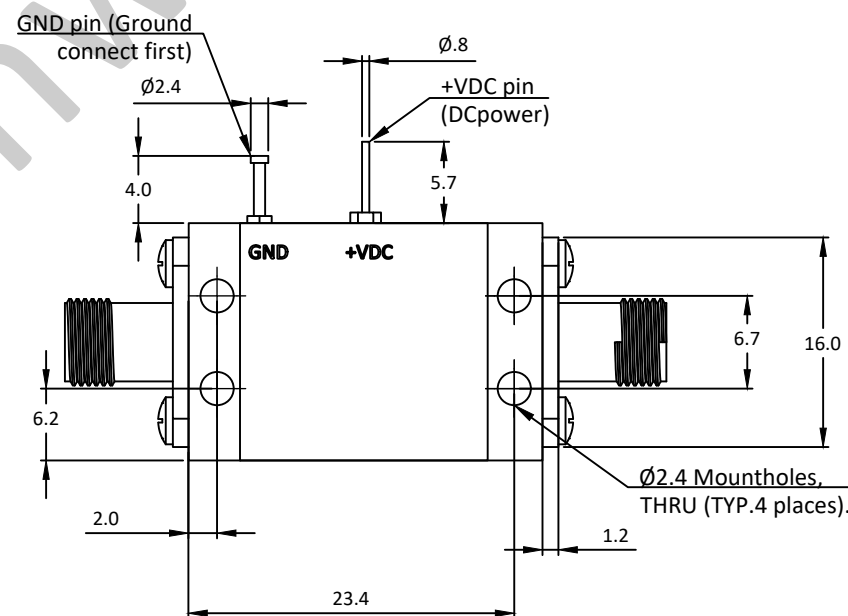
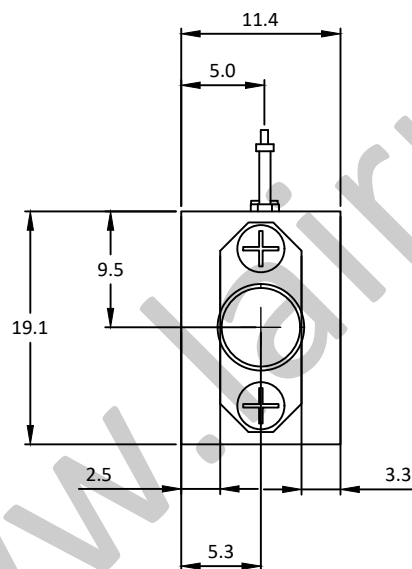


## LAL-5065

2 - 6GHz 低噪声放大器 Low Noise Amplifier

—电气技术参数 Electrical Specifications—

频率范围 Frequency Range:	2 - 6GHz
增益 Gain:	28dB
增益平坦度 Gain Flatness:	±5.0dB
噪声系数 Noise Figure:	0.8dB
输出 P <sub>1dB</sub> Output P <sub>1dB</sub> :	18dBm
输入驻波比 Input VSWR:	1.5:1
输出驻波比 Output VSWR:	2.0:1
直流偏置电压 DC Supply Voltage:	+5V
直流偏置电流 DC Supply Current:	65mA
工作温度 Operation Temperature:	-40 ~ +85°C
存储温度 Storage Temperature:	-55 ~ +125°C



—机械技术参数 Mechanical Specification—

输入连接器 Input Interface:	SMA-F
输出连接器 Output Interface:	SMA-F
尺寸 Size (excluding connectors):	/
重量 Weight:	/

UNLESS OTHERWISE SPECIFIED DIMENSIONS ARE MILLIMETER TOLERANCES ARE: DECIMALS ANGLES FRACTIONS .X±0.1 ±1' ±2/5 .XX±0.03 .XXX±0.012				莱尔微波 www.lairmw.com sales@lairmw.com		P/N: LAL-5065	
HOLE DIAMETER .35 TO 3.20 3.21 TO 6.35 6.36 TO 12.70 12.71 TO 19.05 19.06 TO 25.40 25.41 TO 50.80		TOLERANCES +.05/-0.2 +.10/-0.3 +.15/-0.3 +.20/-0.3 +.25/-0.3 +.30/-0.3		Approvals DATE		2-6GHz 低噪声放大器 Low Noise Amplifier 增益 Gain 28dB, 噪声系数 NF 0.8dB	
DRWN		ENG		CHK		Q.A.	
SIZE A3		CAGE NO		DWG NO.		REV 1	
SCALE 3:2		UNIT mm		SHEET 1 OF 1			