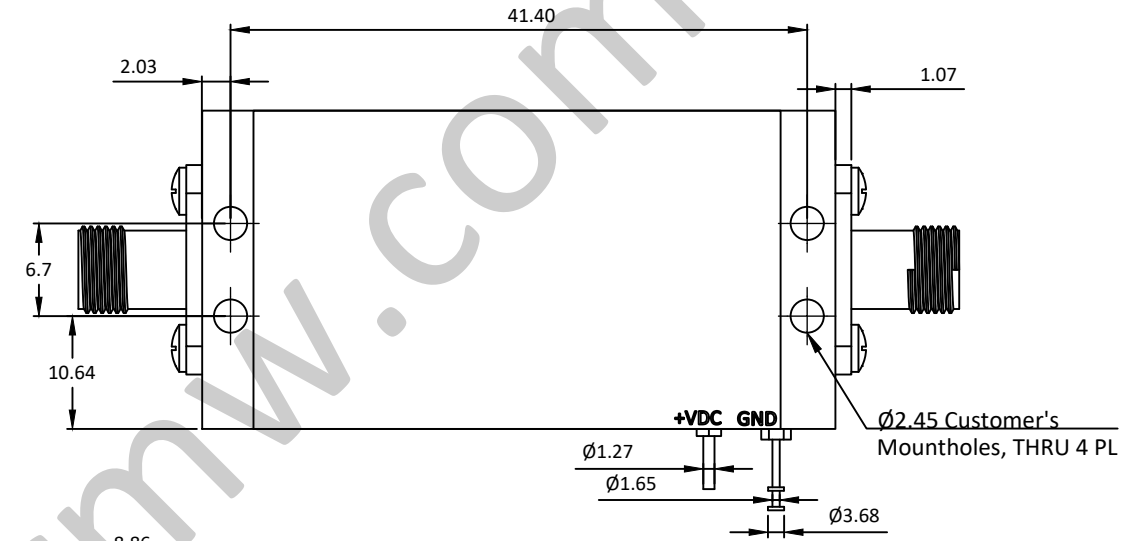
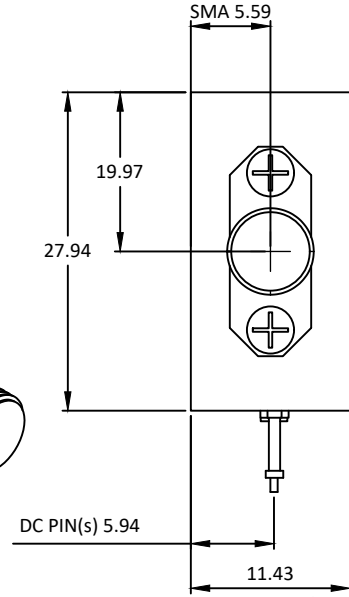
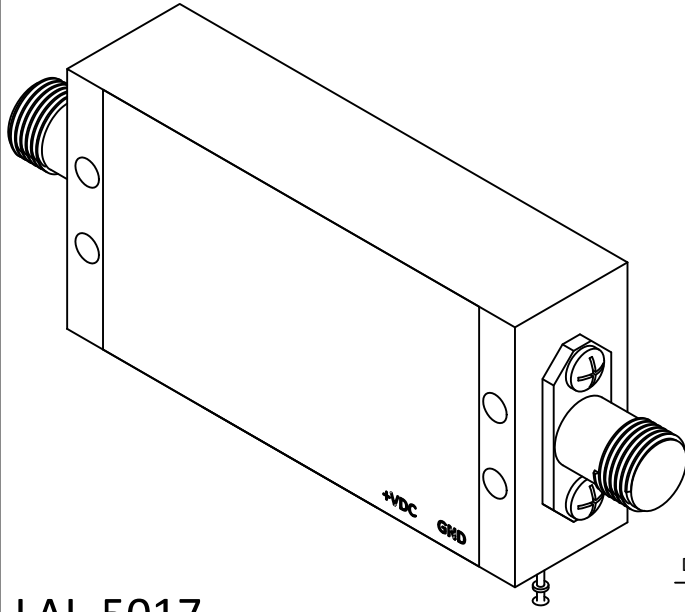


NOTES: UNLESS OTHERWISE SPECIFIED
THIS IS A CAD GENERATED DRAWING, DO NOT REVISE MANUALLY

REVISION HISTORY					
ZONE	REV	DESCRIPTION	E.C.O.NO	DATE	APPROVED
	1	ENGINEERING RELEASE			



LAL-5017

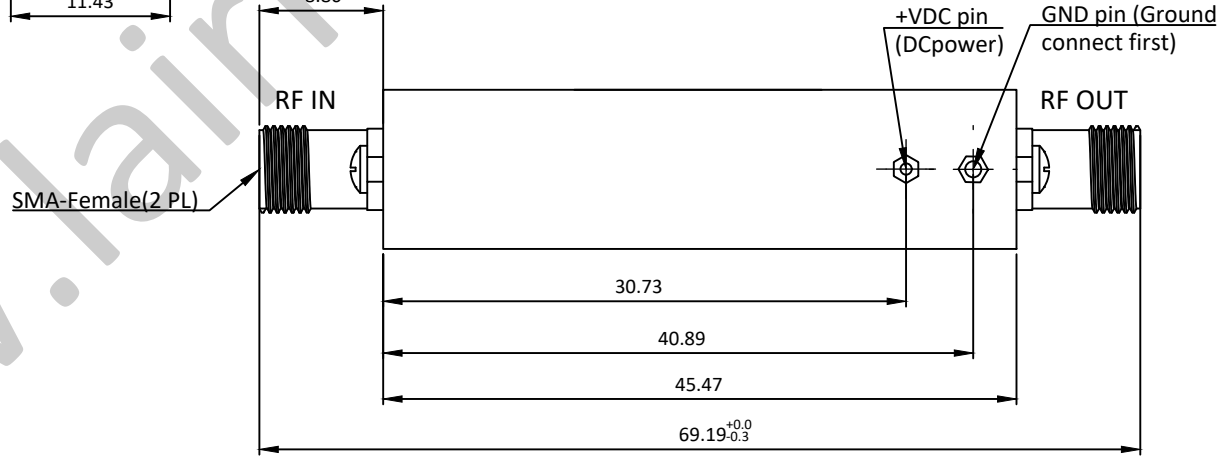
0.4 - 1GHz 低噪声放大器 Low Noise Amplifier

—电气技术参数 Electrical Specifications—

频率范围 Frequency Range:	0.4 - 1GHz
增益 Gain:	40dB
增益平坦度 Gain Flatness:	±2.0dB
噪声系数 Noise Figure:	0.7dB
输出 P _{1dB} Output P _{1dB} :	17dBm
输入驻波比 Input VSWR:	1.2:1
输出驻波比 Output VSWR:	1.9:1
直流偏置电压 DC Supply Voltage:	+12V
直流偏置电流 DC Supply Current:	140mA
工作温度 Operation Temperature:	-40 ~ +85°C
存储温度 Storage Temperature:	-55 ~ +125°C

—机械技术参数 Mechanical Specification—

输入连接器 Input Interface:	SMA-F
输出连接器 Output Interface:	SMA-F
尺寸 Size(excluding connectors):	/
重量 Weight:	/



UNLESS OTHERWISE SPECIFIED DIMENSIONS ARE MILLIMETER TOLERANCES ARE: DECIMALS ANGLES FRACTIONS .XX±0.1 ±1' ±2/5 .XXX±0.03 .XXX±0.012		莱尔微波 www.lairmw.com sales@lairmw.com		P/N: LAL-5017	
		0.4-1GHz 低噪声放大器 Low Noise Amplifier 增益 Gain 40dB, 噪声系数 NF 0.7dB			
HOLE DIAMETER .35 TO 3.20 3.21 TO 6.35 6.36 TO 12.70 12.71 TO 19.05 19.06 TO 25.40 25.41 TO 50.80	TOLERANCES +.05/-0.2 +.10/-0.3 +.15/-0.3 +.20/-0.3 +.25/-0.3 +.30/-0.3	DRWN	ENG	CHK	Q.A.
		Approvals	DATE	SIZE A3	CAGE NO
		DRWN	ENG	CHK	Q.A.
		SCALE 3:2	UNIT mm	DWG NO.	REV 1
		SHEET 1 OF 1			