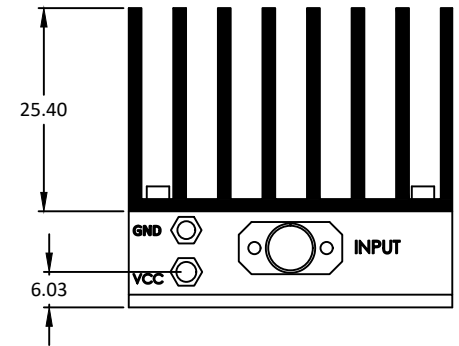
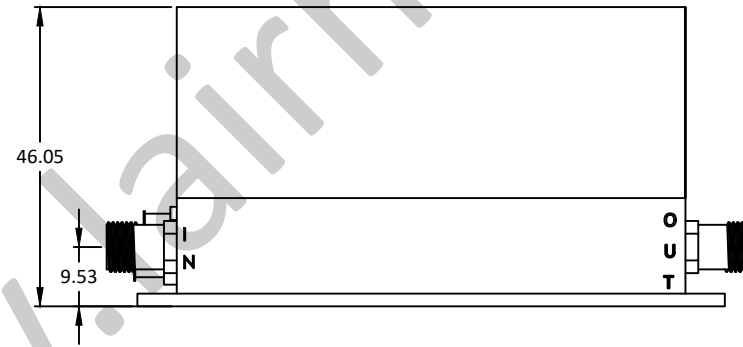
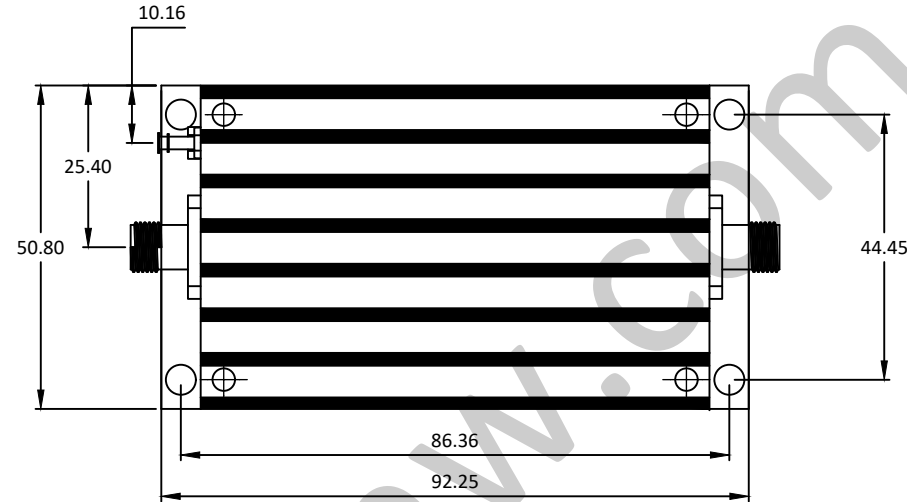
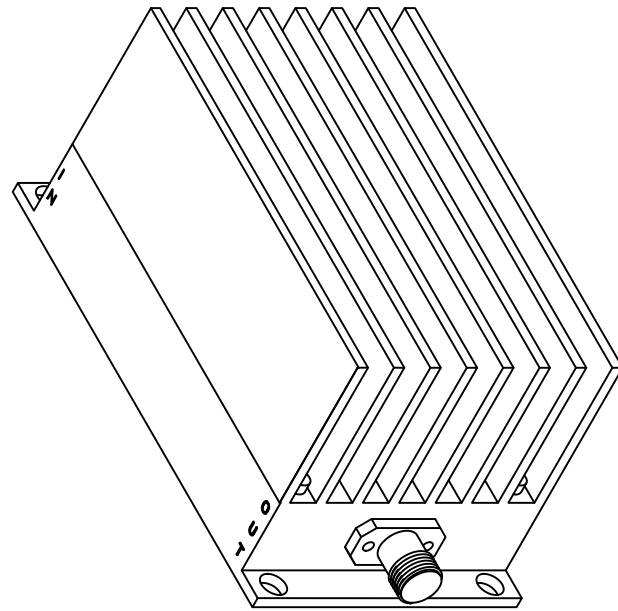


NOTES: UNLESS OTHERWISE SPECIFIED  
THIS IS A CAD GENERATED DRAWING, DO NOT REVISE MANUALLY

REVISION HISTORY					
ZONE	REV	DESCRIPTION	E.C.O.NO	DATE	APPROVED
	1	ENGINEERING RELEASE			



## LAL-5016

0.4 - 1.6GHz 低噪声放大器 Low Noise Amplifier

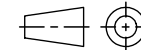
### —电气技术参数Electrical Specifications—

频率范围 Frequency Range:	0.4 - 1.6GHz
增益Gain:	35dB
增益平坦度Gain Flatness:	±5.0dB
噪声系数 Noise Figure:	0.8dB
输出P <sub>1dB</sub> Output P <sub>1dB</sub> :	30dBm
输入驻波比Input VSWR:	2.0:1
输出驻波比Output VSWR:	1.5:1
直流偏置电压DC Supply Voltage:	+15V
直流偏置电流DC Supply Current:	500mA
工作温度Operation Temperature:	-40 ~ +85°C
存储温度Storage Temperature:	-55 ~ +125°C

### —机械技术参数Mechanical Specification—

输入连接器Input Interface:	SMA-F
输出连接器Output Interface:	SMA-F
尺寸Size(excluding connectors):	/
重量Weight:	/

UNLESS OTHERWISE SPECIFIED  
DIMENSIONS ARE MILLIMETER  
TOLERANCES ARE:  
DECIMALS ANGLES FRACTIONS  
.XX±0.1 ±1° ±2/5  
.XXX±0.03  
.XXX±0.012



Approvals

DATE

DRWN

ENG

CHK

Q.A.



www.lairmw.com sales@lairmw.com

P/N: LAL-5016

0.4-1.6GHz 低噪声放大器 Low Noise Amplifier  
增益 Gain 35dB, 噪声系数 NF 0.8dB

SIZE	CAGE NO	DWG NO.	REV
A3			1
SCALE	UNIT	SHEET 1 OF 1	
3:2	mm		