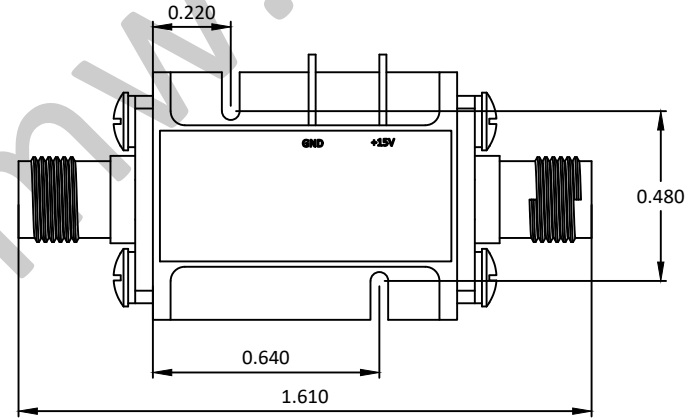
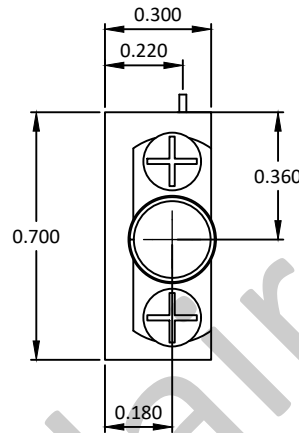
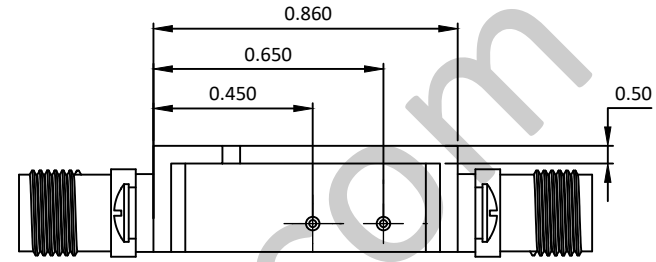
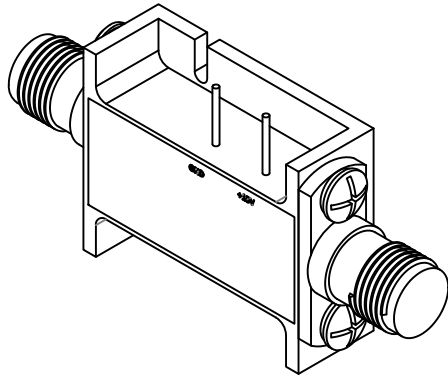


NOTES: UNLESS OTHERWISE SPECIFIED
THIS IS A CAD GENERATED DRAWING, DO NOT REVISE MANUALLY

REVISION HISTORY					
ZONE	REV	DESCRIPTION	E.C.O.NO	DATE	APPROVED
	1	ENGINEERING RELEASE			



LAL-4084

21 - 24GHz 低噪声放大器 Low Noise Amplifier

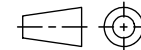
—电气技术参数Electrical Specifications—

频率范围 Frequency Range:	21 - 24GHz
增益Gain:	38dB
增益平坦度Gain Flatness:	±1.5dB
噪声系数 Noise Figure:	2.2dB
输出 P_{1dB} Output P_{1dB} :	10dBm
输入驻波比Input VSWR:	1.8:1
输出驻波比Output VSWR:	1.8:1
直流偏置电压DC Supply Voltage:	+15V
直流偏置电流DC Supply Current:	200mA
工作温度Operation Temperature:	-40 ~ +85°C
存储温度Storage Temperature:	-55 ~ +125°C

—机械技术参数Mechanical Specification—

输入连接器Input Interface:	SMA-F
输出连接器Output Interface:	SMA-F
尺寸Size(excluding connectors):	/
重量Weight:	/

UNLESS OTHERWISE SPECIFIED
DIMENSIONS ARE MILLIMETER
TOLERANCES ARE:
DECIMALS ANGLES FRACTIONS
.XX±0.1 ±1° ±2/5
.XXX±0.03
.XXX±0.012



Approvals	DATE
DRWN	
ENG	
CHK	
Q.A.	



www.lairmw.com sales@lairmw.com

P/N: LAL-4084

21-24GHz 低噪声放大器 Low Noise Amplifier
增益 Gain 38dB, 噪声系数 NF 2.2dB

SIZE	CAGE NO	DWG NO.	REV
A3			1
SCALE	UNIT	SHEET 1 OF 1	
3:2	mm		