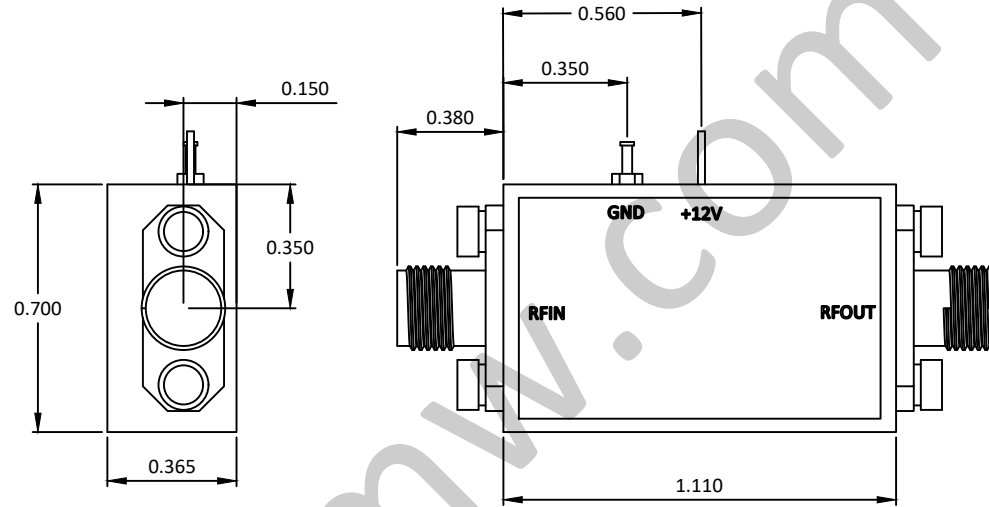
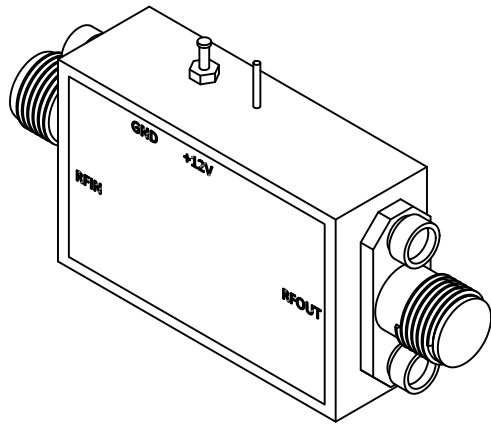


NOTES: UNLESS OTHERWISE SPECIFIED  
THIS IS A CAD GENERATED DRAWING, DO NOT REVISE MANUALLY

REVISION HISTORY					
ZONE	REV	DESCRIPTION	E.C.O.NO	DATE	APPROVED
	1	ENGINEERING RELEASE			



## LAL-4078

18 - 40GHz 低噪声放大器 Low Noise Amplifier

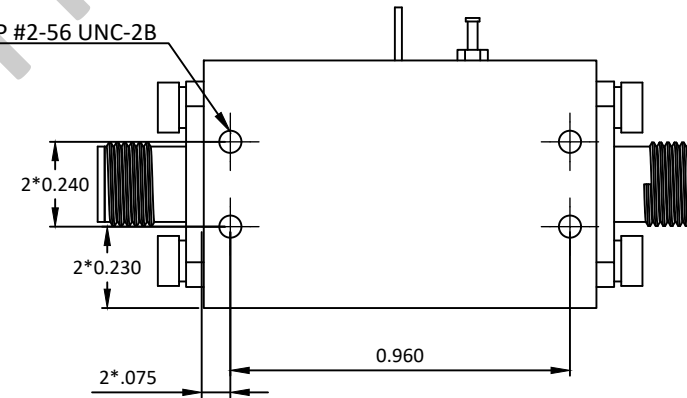
### —电气技术参数Electrical Specifications—

频率范围 Frequency Range:	18 - 40GHz
增益Gain:	30dB
增益平坦度Gain Flatness:	±2.5dB
噪声系数 Noise Figure:	5.0dB
输出 $P_{1dB}$ Output $P_{1dB}$ :	10dBm
输入驻波比Input VSWR:	2.5:1
输出驻波比Output VSWR:	2.5:1
直流偏置电压DC Supply Voltage:	+9 ~ +15V
直流偏置电流DC Supply Current:	200mA
工作温度Operation Temperature:	-40 ~ +85°C
存储温度Storage Temperature:	-55 ~ +125°C

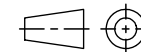
### —机械技术参数Mechanical Specification—

输入连接器Input Interface:	2.92mm-F
输出连接器Output Interface:	2.92mm-F
尺寸Size(excluding connectors):	/
重量Weight:	/

4X TAP #2-56 UNC-2B



UNLESS OTHERWISE SPECIFIED  
DIMENSIONS ARE MILLIMETER  
TOLERANCES ARE:  
DECIMALS ANGLES FRACTIONS  
.XX±0.1 ±1' ±2/5  
.XXX±0.012



Approvals	DATE
DRWN	
ENG	
CHK	
Q.A.	

莱尔微波  
Laird Microwave  
www.lairm.com sales@lairm.com

P/N: LAL-4078

18-40GHz 低噪声放大器 Low Noise Amplifier  
增益 Gain 30dB, 噪声系数 NF 5.0dB

SIZE	CAGE NO	DWG NO.	REV
A3			1
SCALE	UNIT	SHEET 1 OF 1	
3:2	mm		