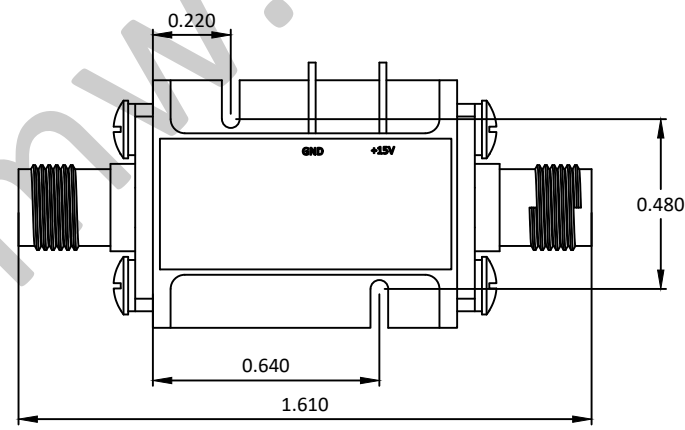
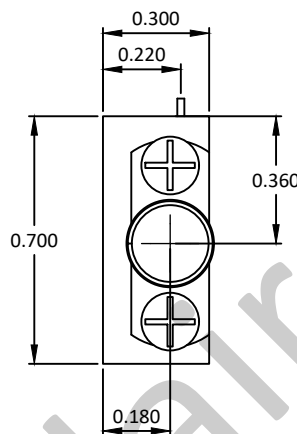
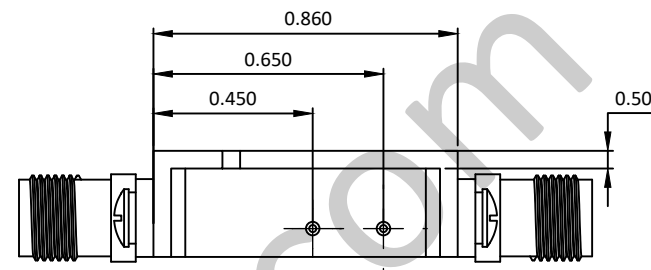
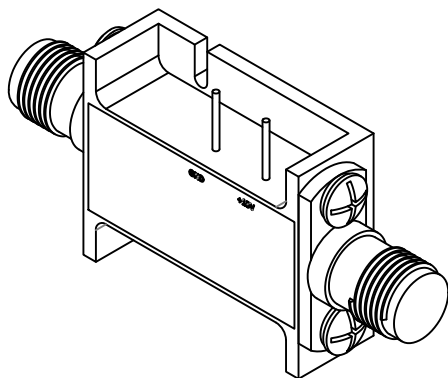


NOTES: UNLESS OTHERWISE SPECIFIED  
THIS IS A CAD GENERATED DRAWING, DO NOT REVISE MANUALLY

REVISION HISTORY					
ZONE	REV	DESCRIPTION	E.C.O.NO	DATE	APPROVED
	1	ENGINEERING RELEASE			



## LAL-4071

12 - 18GHz 低噪声放大器 Low Noise Amplifier

### —电气技术参数Electrical Specifications—

频率范围 Frequency Range:	12 - 18GHz
增益Gain:	37dB
增益平坦度Gain Flatness:	±1.5dB
噪声系数 Noise Figure:	1.5dB
输出P <sub>1dB</sub> Output P <sub>1dB</sub> :	10dBm
输入驻波比Input VSWR:	2.0:1
输出驻波比Output VSWR:	2.0:1
直流偏置电压DC Supply Voltage:	+15V
直流偏置电流DC Supply Current:	200mA
工作温度Operation Temperature:	-40 ~ +85°C
存储温度Storage Temperature:	-55 ~ +125°C

### —机械技术参数Mechanical Specification—

输入连接器Input Interface:	SMA-F
输出连接器Output Interface:	SMA-F
尺寸Size(excluding connectors):	/
重量Weight:	/

UNLESS OTHERWISE SPECIFIED DIMENSIONS ARE MILLIMETER TOLERANCES ARE: DECIMALS ANGLES FRACTIONS .X±0.1 ±1° ±2/5 .XX±0.03 .XXX±0.012		莱尔微波 www.lairmw.com sales@lairmw.com		P/N: LAL-4071	
		Approvals	DATE	12-18GHz 低噪声放大器 Low Noise Amplifier 增益 Gain 37dB, 噪声系数 NF 1.5dB	
HOLE DIAMETER .35 TO 3.20 3.21 TO 6.35 6.36 TO 12.70 12.71 TO 19.05 19.06 TO 25.40 25.41 TO 50.80	TOLERANCES +05/-02 +10/-03 +15/-03 +20/-03 +25/-03 +30/-03	DRWN	ENG	CHK	Q.A.
		SIZE A3	CAGE NO	DWG NO.	REV 1
		SCALE 3:2	UNIT mm	SHEET 1 OF 1	