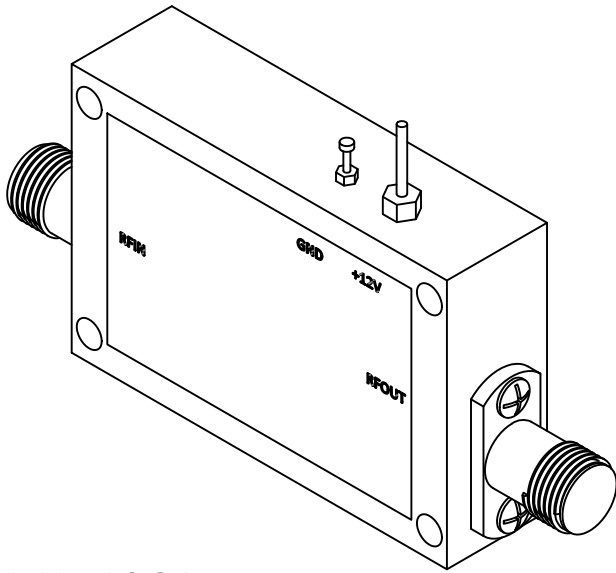


NOTES: UNLESS OTHERWISE SPECIFIED
THIS IS A CAD GENERATED DRAWING, DO NOT REVISE MANUALLY

REVISION HISTORY					
ZONE	REV	DESCRIPTION	E.C.O.NO	DATE	APPROVED
	1	ENGINEERING RELEASE			



LAL-4064

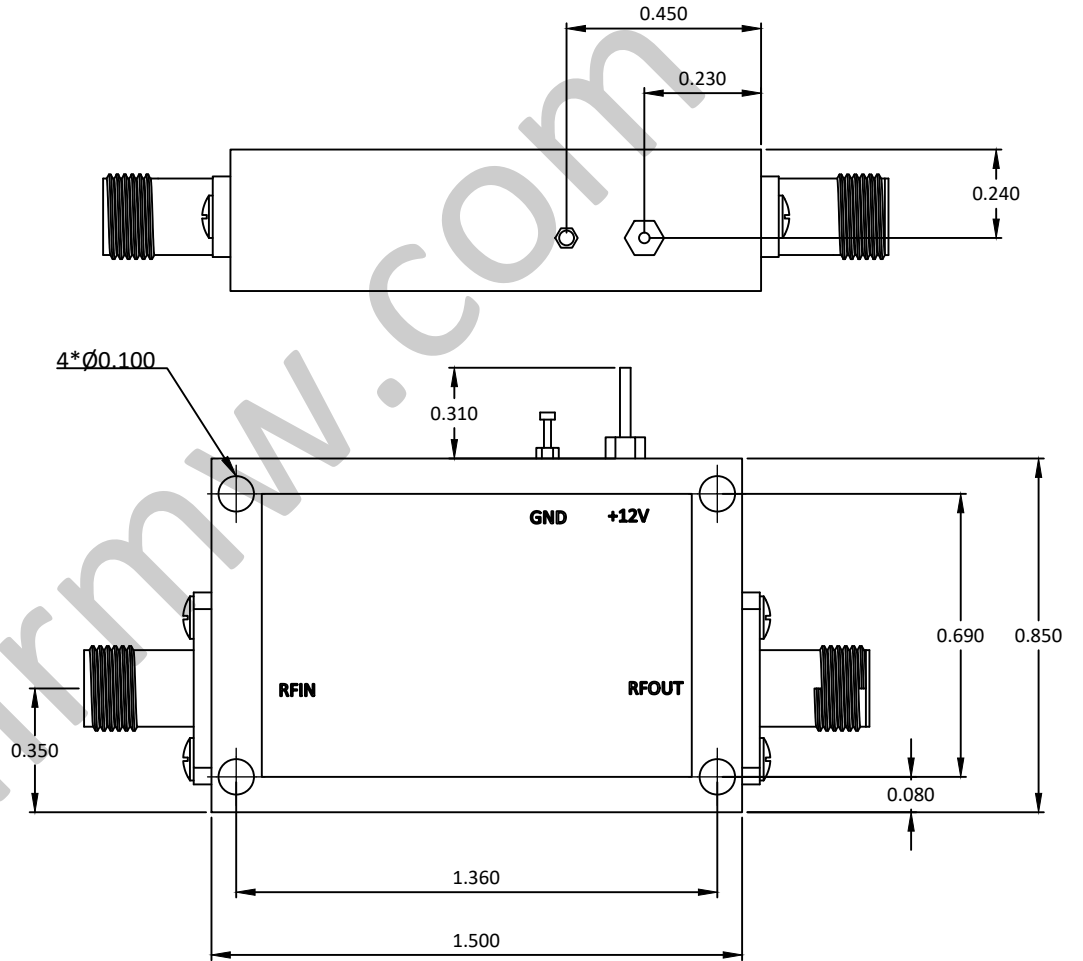
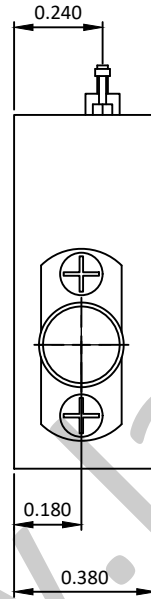
0.01 - 1GHz 低噪声放大器 Low Noise Amplifier

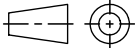

—电气技术参数 Electrical Specifications—

频率范围 Frequency Range:	0.01 - 1GHz
增益 Gain:	50dB
增益平坦度 Gain Flatness:	±1.25dB
噪声系数 Noise Figure:	1.0dB
输出 P _{1dB} Output P _{1dB} :	16dBm
输入驻波比 Input VSWR:	1.7:1
输出驻波比 Output VSWR:	1.7:1
直流偏置电压 DC Supply Voltage:	+10 ~ +15V
直流偏置电流 DC Supply Current:	170mA
工作温度 Operation Temperature:	-40 ~ +85°C
存储温度 Storage Temperature:	-55 ~ +125°C

—机械技术参数 Mechanical Specification—

输入连接器 Input Interface:	SMA-F
输出连接器 Output Interface:	SMA-F
尺寸 Size (excluding connectors):	/
重量 Weight:	/



UNLESS OTHERWISE SPECIFIED DIMENSIONS ARE MILLIMETER TOLERANCES ARE: DECIMALS ANGLES FRACTIONS .XX±0.03 ±1' ±2/5 .XXX±0.012				P/N: LAL-4064																									
		www.lairmw.com sales@lairmw.com		0.01-1GHz 低噪声放大器 Low Noise Amplifier 增益 Gain 50dB, 噪声系数 NF 1.0dB																									
<table border="1"> <tr> <td>HOLE DIAMETER</td> <td>TOLERANCES</td> </tr> <tr> <td>.35 TO 3.20</td> <td>+.05/-0.2</td> </tr> <tr> <td>3.21 TO 6.35</td> <td>+.10/-0.3</td> </tr> <tr> <td>6.36 TO 12.70</td> <td>+.15/-0.3</td> </tr> <tr> <td>12.71 TO 19.05</td> <td>+.20/-0.3</td> </tr> <tr> <td>19.06 TO 25.40</td> <td>+.25/-0.3</td> </tr> <tr> <td>25.41 TO 50.80</td> <td>+.30/-0.3</td> </tr> </table>	HOLE DIAMETER	TOLERANCES	.35 TO 3.20	+.05/-0.2	3.21 TO 6.35	+.10/-0.3	6.36 TO 12.70	+.15/-0.3	12.71 TO 19.05	+.20/-0.3	19.06 TO 25.40	+.25/-0.3	25.41 TO 50.80	+.30/-0.3	<table border="1"> <tr> <td>Approvals</td> <td>DATE</td> </tr> <tr> <td>DRWN</td> <td></td> </tr> <tr> <td>ENG</td> <td></td> </tr> <tr> <td>CHK</td> <td></td> </tr> <tr> <td>Q.A.</td> <td></td> </tr> </table>	Approvals	DATE	DRWN		ENG		CHK		Q.A.		SIZE	CAGE NO	DWG NO.	REV
	HOLE DIAMETER	TOLERANCES																											
.35 TO 3.20	+.05/-0.2																												
3.21 TO 6.35	+.10/-0.3																												
6.36 TO 12.70	+.15/-0.3																												
12.71 TO 19.05	+.20/-0.3																												
19.06 TO 25.40	+.25/-0.3																												
25.41 TO 50.80	+.30/-0.3																												
Approvals	DATE																												
DRWN																													
ENG																													
CHK																													
Q.A.																													
A3			1																										
SCALE	UNIT	SHEET 1 OF 1																											
3:2	mm																												