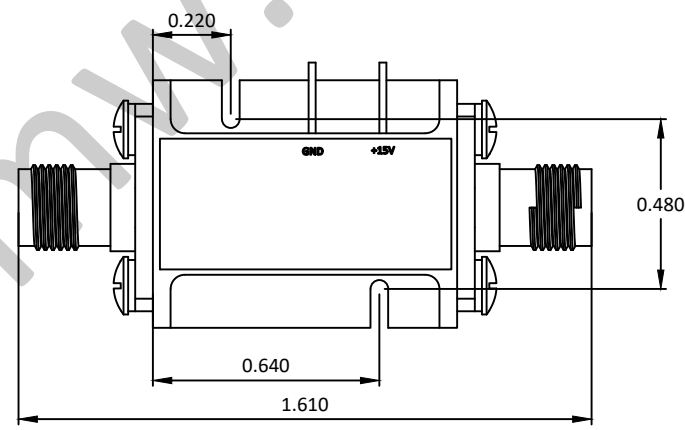
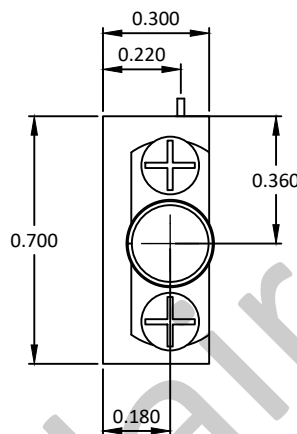
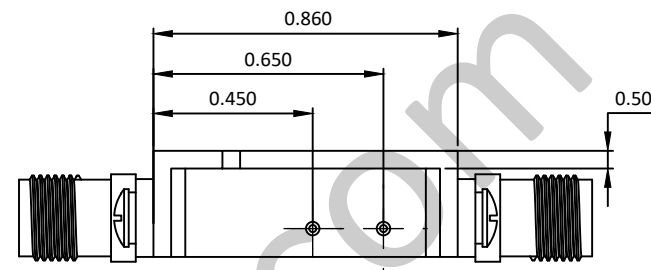
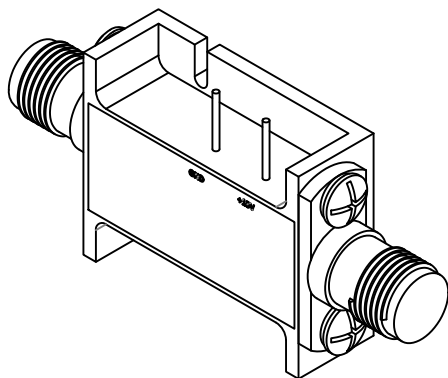


NOTES: UNLESS OTHERWISE SPECIFIED  
THIS IS A CAD GENERATED DRAWING, DO NOT REVISE MANUALLY

| REVISION HISTORY |     |                     |          |      |          |
|------------------|-----|---------------------|----------|------|----------|
| ZONE             | REV | DESCRIPTION         | E.C.O.NO | DATE | APPROVED |
|                  | 1   | ENGINEERING RELEASE |          |      |          |



## LAL-4051

4 - 8GHz 低噪声放大器 Low Noise Amplifier

—电气技术参数 Electrical Specifications—

|   |              |
|---|--------------|
| 频率范围 Frequency Range:                         | 4 - 8GHz     |
| 增益 Gain:                                      | 50dB         |
| 增益平坦度 Gain Flatness:                          | ±1.5dB       |
| 噪声系数 Noise Figure:                            | 0.7dB        |
| 输出 P <sub>1dB</sub> Output P <sub>1dB</sub> : | 10dBm        |
| 输入驻波比 Input VSWR:                             | 2.0:1        |
| 输出驻波比 Output VSWR:                            | 2.0:1        |
| 直流偏置电压 DC Supply Voltage:                     | +15V         |
| 直流偏置电流 DC Supply Current:                     | 200mA        |
| 工作温度 Operation Temperature:                   | -40 ~ +85°C  |
| 存储温度 Storage Temperature:                     | -55 ~ +125°C |

—机械技术参数 Mechanical Specification—

|                                |       |
|--------------------------------|-------|
| 输入连接器 Input Interface:         | SMA-F |
| 输出连接器 Output Interface:        | SMA-F |
| 尺寸 Size(excluding connectors): | /     |
| 重量 Weight:                     | /     |

|  |  |   |         |  |       |
|--|--|---|---------|--|-------|
| UNLESS OTHERWISE SPECIFIED<br>DIMENSIONS ARE MILLIMETER<br>TOLERANCES ARE:<br>DECIMALS ANGLES FRACTIONS<br>.X±0.1 ±1' ±2/5<br>.XX±0.03<br>.XXX±0.012 |  | 莱尔微波<br>www.lairmw.com sales@lairmw.com |         | P/N: LAL-4051  |       |
|  |  | Approvals                               | DATE    | 4-8GHz 低噪声放大器 Low Noise Amplifier<br>增益 Gain 50dB, 噪声系数 NF 0.7dB |       |
| HOLE DIAMETER<br>.35 TO 3.20<br>3.21 TO 6.35<br>6.36 TO 12.70<br>12.71 TO 19.05<br>19.06 TO 25.40<br>25.41 TO 50.80                                  | TOLERANCES<br>+05/-02<br>+10/-03<br>+15/-03<br>+20/-03<br>+25/-03<br>+30/-03 | DRWN                                    | ENG     | CHK  | Q.A.  |
|  |  | SIZE A3                                 | CAGE NO | DWG NO.  | REV 1 |
|  |  | SCALE 3:2                               | UNIT mm | SHEET 1 OF 1   |       |