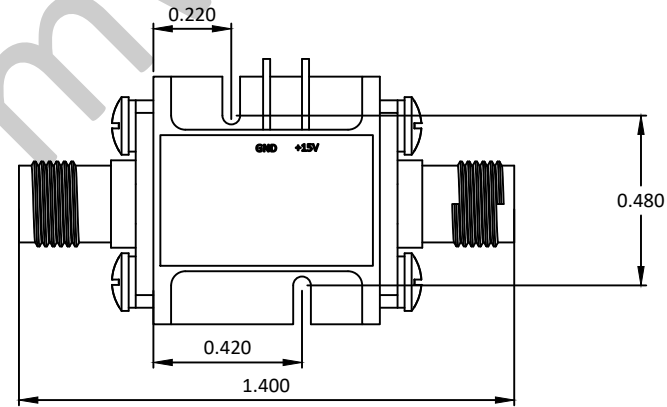
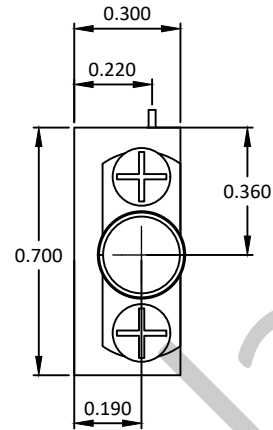
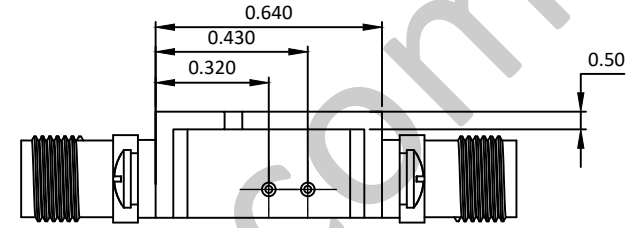
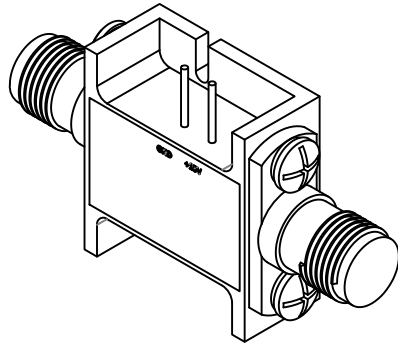


NOTES: UNLESS OTHERWISE SPECIFIED  
THIS IS A CAD GENERATED DRAWING, DO NOT REVISE MANUALLY

REVISION HISTORY					
ZONE	REV	DESCRIPTION	E.C.O.NO	DATE	APPROVED
	1	ENGINEERING RELEASE			



## LAL-4047

### 4.4 - 5GHz 低噪声放大器 Low Noise Amplifier

#### —电气技术参数 Electrical Specifications—

频率范围 Frequency Range:	4.4 - 5GHz
增益 Gain:	43dB
增益平坦度 Gain Flatness:	±0.8dB
噪声系数 Noise Figure:	1.2dB
输出 P <sub>1dB</sub> Output P <sub>1dB</sub> :	20dBm
输入驻波比 Input VSWR:	1.4:1
输出驻波比 Output VSWR:	1.4:1
直流偏置电压 DC Supply Voltage:	+15V
直流偏置电流 DC Supply Current:	600mA
工作温度 Operation Temperature:	-40 ~ +85°C
存储温度 Storage Temperature:	-55 ~ +125°C

#### —机械技术参数 Mechanical Specification—

输入连接器 Input Interface:	SMA-F
输出连接器 Output Interface:	SMA-F
尺寸 Size (excluding connectors):	/
重量 Weight:	/

UNLESS OTHERWISE SPECIFIED DIMENSIONS ARE MILLIMETER TOLERANCES ARE: DECIMALS ANGLES FRACTIONS .X±0.1 ±1' ±2/5 .XX±0.03 .XXX±0.012		莱尔微波 www.lairmw.com sales@lairmw.com		P/N: LAL-4047	
		Approvals	DATE	4.4-5GHz 低噪声放大器 Low Noise Amplifier 增益 Gain 43dB, 噪声系数 NF 1.2dB	
HOLE DIAMETER .35 TO 3.20 3.21 TO 6.35 6.36 TO 12.70 12.71 TO 19.05 19.06 TO 25.40 25.41 TO 50.80	TOLERANCES +05/-02 +10/-03 +15/-03 +20/-03 +25/-03 +30/-03	DRWN	ENG	CHK	Q.A.
		SIZE A3	CAGE NO	DWG NO.	REV 1
		SCALE 3:2	UNIT mm	SHEET 1 OF 1	