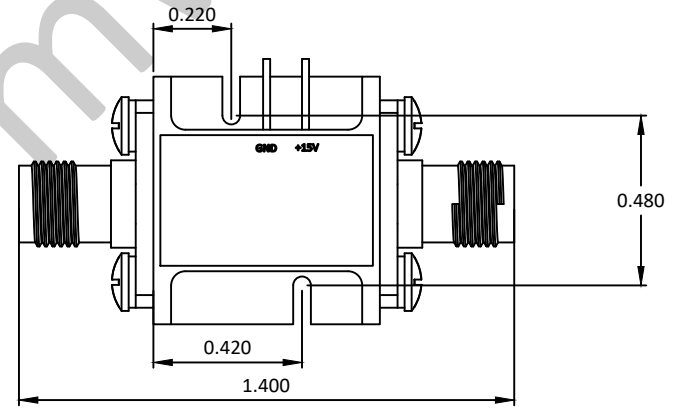
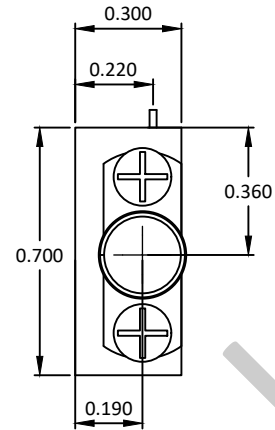
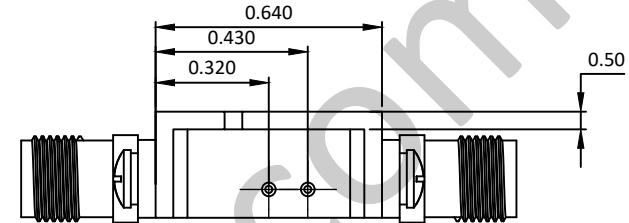
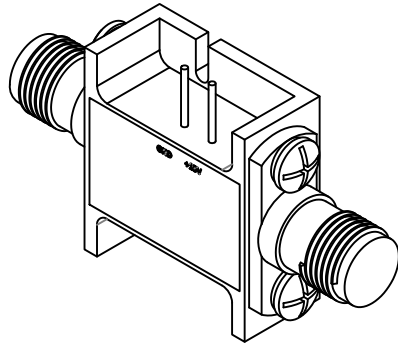


NOTES: UNLESS OTHERWISE SPECIFIED
THIS IS A CAD GENERATED DRAWING, DO NOT REVISE MANUALLY

REVISION HISTORY					
ZONE	REV	DESCRIPTION	E.C.O.NO	DATE	APPROVED
	1	ENGINEERING RELEASE			



LAL-4045

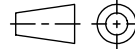

2 - 20GHz 低噪声放大器 Low Noise Amplifier

—电气技术参数 Electrical Specifications—

频率范围 Frequency Range:	2 - 20GHz
增益 Gain:	18dB
增益平坦度 Gain Flatness:	±2.0dB
噪声系数 Noise Figure:	3.6dB
输出 P _{1dB} Output P _{1dB} :	20dBm
输入驻波比 Input VSWR:	2.5:1
输出驻波比 Output VSWR:	2.5:1
直流偏置电压 DC Supply Voltage:	+15V
直流偏置电流 DC Supply Current:	350mA
工作温度 Operation Temperature:	-40 ~ +85°C
存储温度 Storage Temperature:	-55 ~ +125°C

—机械技术参数 Mechanical Specification—

输入连接器 Input Interface:	SMA-F
输出连接器 Output Interface:	SMA-F
尺寸 Size(excluding connectors):	/
重量 Weight:	/

UNLESS OTHERWISE SPECIFIED DIMENSIONS ARE MILLIMETER TOLERANCES ARE: DECIMALS ANGLES FRACTIONS .X±0.1 ±1° ±2/5 .XX±0.03 .XXX±0.012				P/N: LAL-4045															
		www.lairmw.com sales@lairmw.com																	
		Approvals	DATE	2-20GHz 低噪声放大器 Low Noise Amplifier 增益 Gain 18dB, 噪声系数 NF 3.6dB															
		DRWN		SIZE	A3														
		ENG		CAGE NO															
		CHK		DWG NO.															
		Q.A.		REV	1														
<table border="1"> <tr> <td>HOLE DIAMETER</td> <td>TOLERANCES</td> </tr> <tr> <td>.35 TO 3.20</td> <td>+05/-02</td> </tr> <tr> <td>3.21 TO 6.35</td> <td>+10/-03</td> </tr> <tr> <td>6.36 TO 12.70</td> <td>+15/-03</td> </tr> <tr> <td>12.71 TO 19.05</td> <td>+20/-03</td> </tr> <tr> <td>19.06 TO 25.40</td> <td>+25/-03</td> </tr> <tr> <td>25.41 TO 50.80</td> <td>+30/-03</td> </tr> </table>		HOLE DIAMETER	TOLERANCES	.35 TO 3.20	+05/-02	3.21 TO 6.35	+10/-03	6.36 TO 12.70	+15/-03	12.71 TO 19.05	+20/-03	19.06 TO 25.40	+25/-03	25.41 TO 50.80	+30/-03	SCALE		SHEET 1 OF 1	
HOLE DIAMETER	TOLERANCES																		
.35 TO 3.20	+05/-02																		
3.21 TO 6.35	+10/-03																		
6.36 TO 12.70	+15/-03																		
12.71 TO 19.05	+20/-03																		
19.06 TO 25.40	+25/-03																		
25.41 TO 50.80	+30/-03																		
		3:2	UNIT	mm															