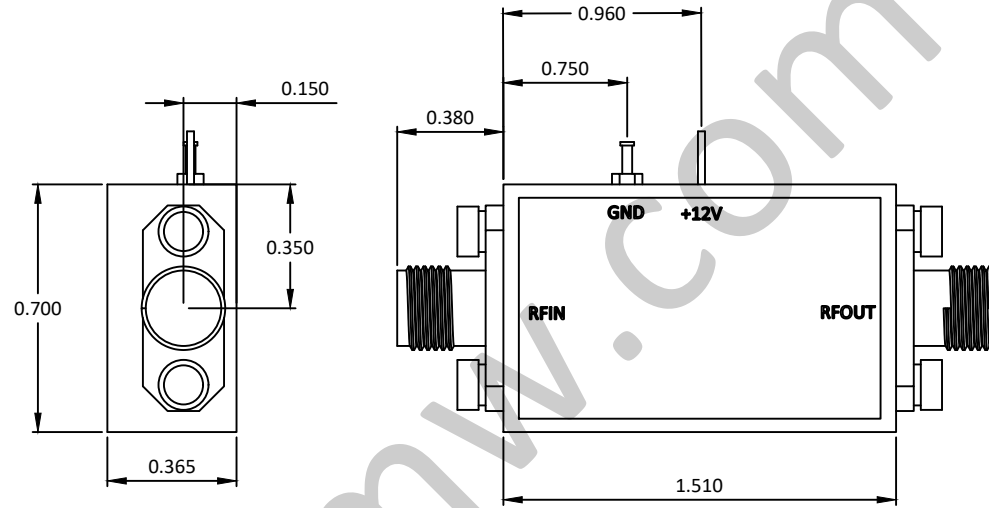
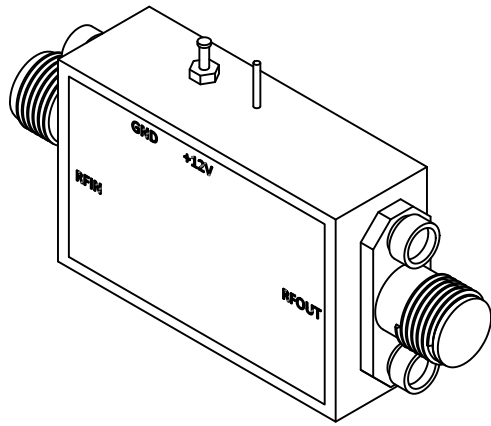


NOTES: UNLESS OTHERWISE SPECIFIED
THIS IS A CAD GENERATED DRAWING, DO NOT REVISE MANUALLY

REVISION HISTORY					
ZONE	REV	DESCRIPTION	E.C.O.NO	DATE	APPROVED
	1	ENGINEERING RELEASE			



LAL-4037

1 - 40GHz 低噪声放大器 Low Noise Amplifier

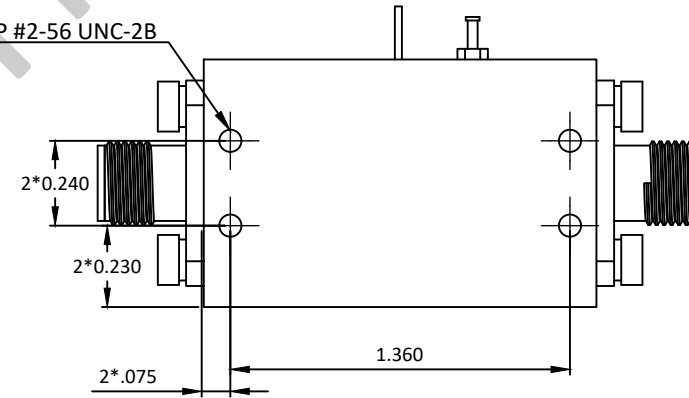
—电气技术参数 Electrical Specifications—

频率范围 Frequency Range:	1 - 40GHz
增益 Gain:	40dB
增益平坦度 Gain Flatness:	±3.3dB
噪声系数 Noise Figure:	6.0dB
输出 P _{1dB} Output P _{1dB} :	10dBm
输入驻波比 Input VSWR:	2.5:1
输出驻波比 Output VSWR:	2.5:1
直流偏置电压 DC Supply Voltage:	+9~+15V
直流偏置电流 DC Supply Current:	300mA
工作温度 Operation Temperature:	-40~+85°C
存储温度 Storage Temperature:	-55~+125°C

—机械技术参数 Mechanical Specification—

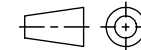
输入连接器 Input Interface:	2.92mm-F
输出连接器 Output Interface:	2.92mm-F
尺寸 Size(excluding connectors):	/
重量 Weight	/

4X TAP #2-56 UNC-2B



UNLESS OTHERWISE SPECIFIED
DIMENSIONS ARE MILLIMETER
TOLERANCES ARE:
DECIMALS ANGLES FRACTIONS
.X±0.1 ±1' ±2/5
.XX±0.03
.XXX±0.012

HOLE DIAMETER	TOLERANCES
.35 TO 3.20	+05/-02
3.21 TO 6.35	+10/-03
6.36 TO 12.70	+15/-03
12.71 TO 19.05	+20/-03
19.06 TO 25.40	+25/-03
25.41 TO 50.80	+30/-03



Approvals

DATE

DRWN

ENG

CHK

Q.A.



www.lairmw.com sales@lairmw.com

P/N: LAL-4037

1-40GHz 低噪声放大器 Low Noise Amplifier
增益 Gain 40dB, 噪声系数 NF 6.0dB

SIZE	CAGE NO	DWG NO.	REV
A3			1
SCALE	UNIT	SHEET 1 OF 1	
3:2	mm		