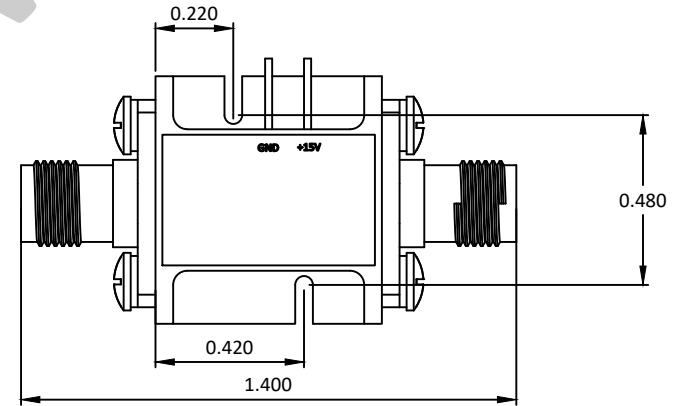
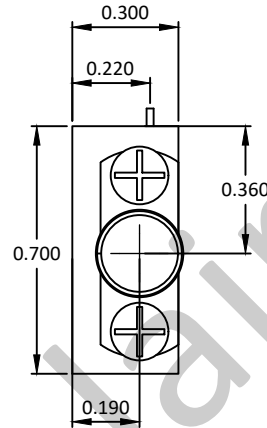
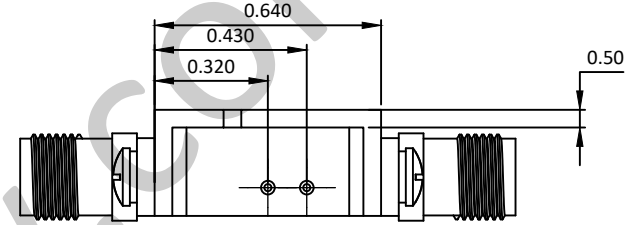
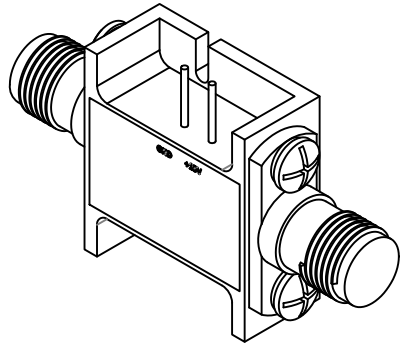


NOTES: UNLESS OTHERWISE SPECIFIED  
THIS IS A CAD GENERATED DRAWING, DO NOT REVISE MANUALLY

| REVISION HISTORY |     |                     |          |      |          |
|------------------|-----|---------------------|----------|------|----------|
| ZONE             | REV | DESCRIPTION         | E.C.O.NO | DATE | APPROVED |
|                  | 1   | ENGINEERING RELEASE |          |      |          |



## LAL-4016

0.1 - 20GHz 低噪声放大器 Low Noise Amplifier

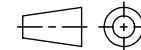
### —电气技术参数 Electrical Specifications—

|   |              |
|---|--------------|
| 频率范围 Frequency Range:                         | 0.1 - 20GHz  |
| 增益 Gain:                                      | 34dB         |
| 增益平坦度 Gain Flatness:                          | ±3.0dB       |
| 噪声系数 Noise Figure:                            | 3.5dB        |
| 输出 P <sub>1dB</sub> Output P <sub>1dB</sub> : | 18dBm        |
| 输入驻波比 Input VSWR:                             | 2.5:1        |
| 输出驻波比 Output VSWR:                            | 2.5:1        |
| 直流偏置电压 DC Supply Voltage:                     | +15V         |
| 直流偏置电流 DC Supply Current:                     | 200mA        |
| 工作温度 Operation Temperature:                   | -40 ~ +85°C  |
| 存储温度 Storage Temperature:                     | -55 ~ +125°C |

### —机械技术参数 Mechanical Specification—

|                                |       |
|--------------------------------|-------|
| 输入连接器 Input Interface:         | SMA-F |
| 输出连接器 Output Interface:        | SMA-F |
| 尺寸 Size(excluding connectors): | /     |
| 重量 Weight:                     | /     |

UNLESS OTHERWISE SPECIFIED  
DIMENSIONS ARE MILLIMETER  
TOLERANCES ARE:  
DECIMALS ANGLES FRACTIONS  
.XX±0.1 ±1' ±2/5  
.XXX±0.012



|           |      |
|-----------|------|
| Approvals | DATE |
| DRWN      |      |
| ENG       |      |
| CHK       |      |
| Q.A.      |      |



P/N: LAL-4016

0.1-20GHz 低噪声放大器 Low Noise Amplifier  
增益 Gain 34dB, 噪声系数 NF 3.5dB

|       |         |              |     |
|-------|---------|--------------|-----|
| SIZE  | CAGE NO | DWG NO.      | REV |
| A3    |         |              | 1   |
| SCALE | UNIT    | SHEET 1 OF 1 |     |
| 3:2   | mm      |              |     |

|                |            |
|----------------|------------|
| HOLE DIAMETER  | TOLERANCES |
| .35 TO 3.20    | +05/-02    |
| 3.21 TO 6.35   | +10/-03    |
| 6.36 TO 12.70  | +15/-03    |
| 12.71 TO 19.05 | +20/-03    |
| 19.06 TO 25.40 | +25/-03    |
| 25.41 TO 50.80 | +30/-03    |