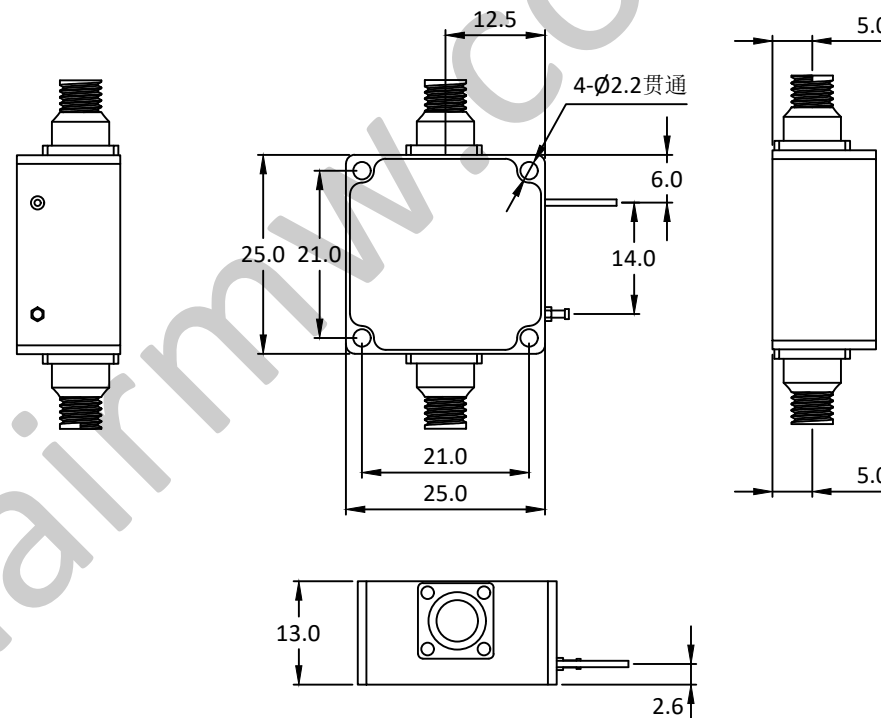
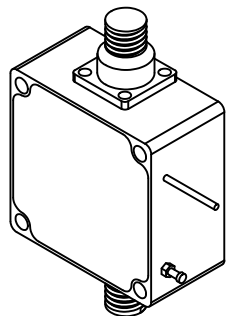


NOTES: UNLESS OTHERWISE SPECIFIED
THIS IS A CAD GENERATED DRAWING, DO NOT REVISE MANUALLY

REVISION HISTORY					
ZONE	REV	DESCRIPTION	E.C.O.NO	DATE	APPROVED
	1	ENGINEERING RELEASE			



LAL-3078

55 - 90GHz 低噪声放大器 Low Noise Amplifier

—电气技术参数 Electrical Specifications—

频率范围 Frequency Range:	55 - 90GHz
增益 Gain:	35dB
增益平坦度 Gain Flatness:	±3.0dB
噪声系数 Noise Figure:	6.0dB
输出 P _{1dB} Output P _{1dB} :	8dBm
输入驻波比 Input VSWR:	7dB
输出驻波比 Output VSWR:	7dB
直流偏置电压 DC Supply Voltage:	+5V
直流偏置电流 DC Supply Current:	180mA
工作温度 Operation Temperature:	-40 ~ +85°C
存储温度 Storage Temperature:	-55 ~ +125°C

—机械技术参数 Mechanical Specification—

输入连接器 Input Interface:	1.0mm-F
输出连接器 Output Interface:	1.0mm-F
尺寸 Size (excluding connectors):	/
重量 Weight:	/

UNLESS OTHERWISE SPECIFIED DIMENSIONS ARE MILLIMETER TOLERANCES ARE: DECIMALS ANGLES FRACTIONS .XX±0.03 ±1' ±2/5 .XXX±0.012				莱尔微波 www.lairmw.com sales@lairmw.com		P/N: LAL-3078	
HOLE DIAMETER .35 TO 3.20 +.05/-02 3.21 TO 6.35 +.10/-03 6.36 TO 12.70 +.15/-03 12.71 TO 19.05 +.20/-03 19.06 TO 25.40 +.25/-03 25.41 TO 50.80 +.30/-03		Approvals DATE		55-90GHz 低噪声放大器 Low Noise Amplifier 增益 Gain 35dB, 噪声系数 NF 6.0dB			
DRWN ENG CHK Q.A.		SIZE A3		CAGE NO UNIT mm		DWG NO. REV 1	
		SCALE 3:2		SHEET 1 OF 1			