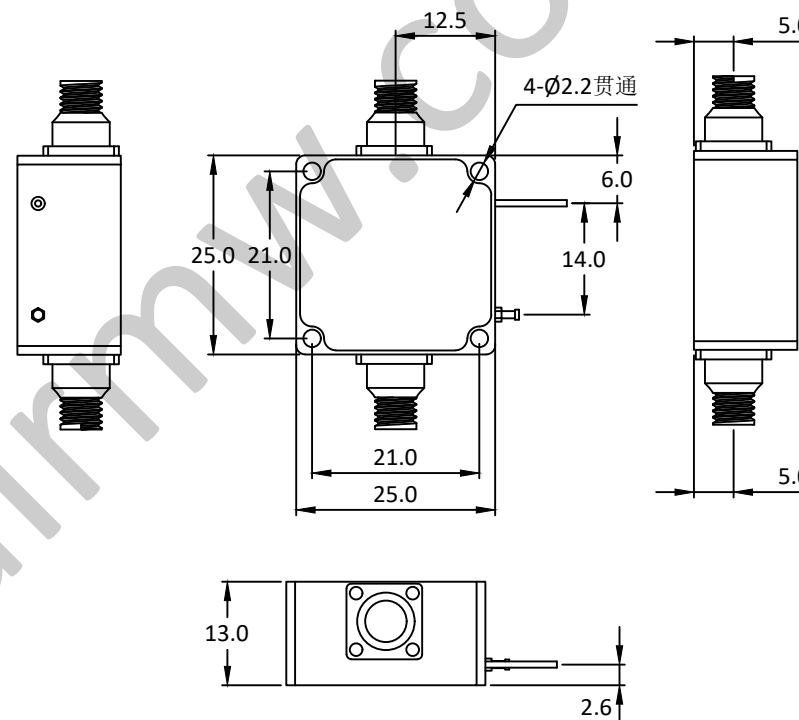
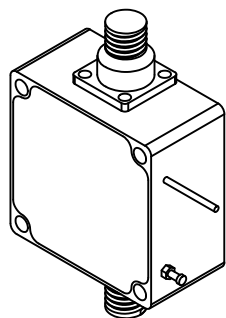


NOTES: UNLESS OTHERWISE SPECIFIED
THIS IS A CAD GENERATED DRAWING, DO NOT REVISE MANUALLY

REVISION HISTORY					
ZONE	REV	DESCRIPTION	E.C.O.NO	DATE	APPROVED
	1	ENGINEERING RELEASE			



LAL-3076

45 - 75GHz 低噪声放大器 Low Noise Amplifier

—电气技术参数 Electrical Specifications—

频率范围 Frequency Range:	45 - 75GHz
增益 Gain:	35dB
增益平坦度 Gain Flatness:	±3.0dB
噪声系数 Noise Figure:	4.0dB
输出 P _{1dB} Output P _{1dB} :	5dBm
输入驻波比 Input VSWR:	7dB
输出驻波比 Output VSWR:	7dB
直流偏置电压 DC Supply Voltage:	+5V
直流偏置电流 DC Supply Current:	75mA
工作温度 Operation Temperature:	-40 ~ +85°C
存储温度 Storage Temperature:	-55 ~ +125°C

—机械技术参数 Mechanical Specification—

输入连接器 Input Interface:	1.0mm-F
输出连接器 Output Interface:	1.0mm-F
尺寸 Size (excluding connectors):	/
重量 Weight:	/

UNLESS OTHERWISE SPECIFIED DIMENSIONS ARE MILLIMETER TOLERANCES ARE: DECIMALS ANGLES FRACTIONS .X±0.1 ±1° ±2/5 .XX±0.03 .XXX±0.012						 www.lairmw.com sales@lairmw.com		P/N: LAL-3076	
HOLE DIAMETER .35 TO 3.20 3.21 TO 6.35 6.36 TO 12.70 12.71 TO 19.05 19.06 TO 25.40 25.41 TO 50.80		TOLERANCES +.05/-0.2 +.10/-0.3 +.15/-0.3 +.20/-0.3 +.25/-0.3 +.30/-0.3		Approvals DRWN ENG CHK Q.A.		DATE 		45-75GHz 低噪声放大器 Low Noise Amplifier 增益 Gain 35dB, 噪声系数 NF 4.0dB	
				SIZE A3		CAGE NO		DWG NO.	
				SCALE 3:2		UNIT mm		REV 1	
						SHEET 1 OF 1			