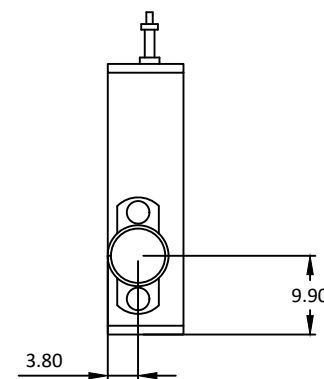
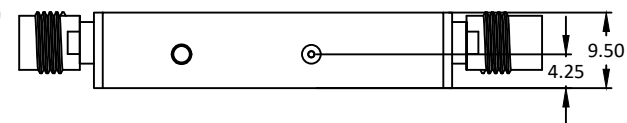
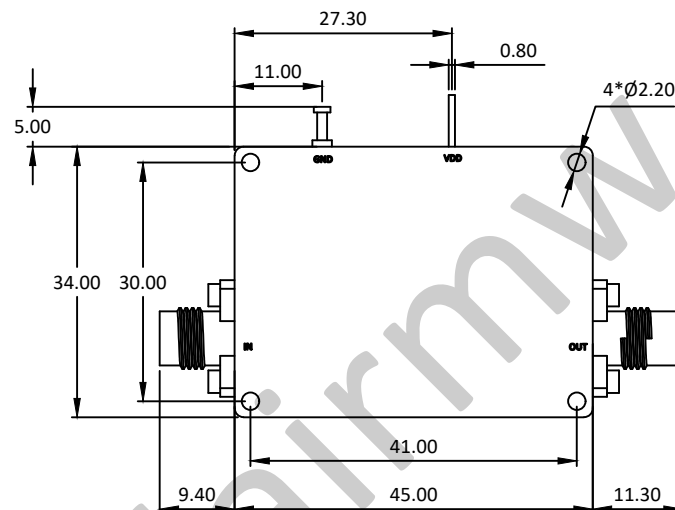
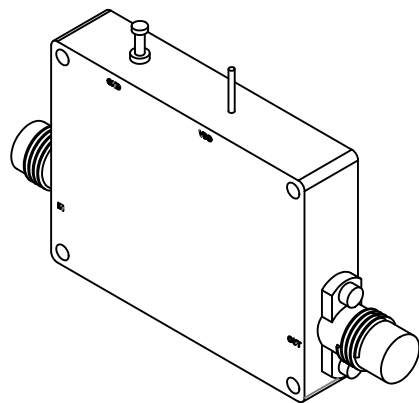


NOTES: UNLESS OTHERWISE SPECIFIED  
THIS IS A CAD GENERATED DRAWING, DO NOT REVISE MANUALLY

| REVISION HISTORY |     |                     |          |      |          |
|------------------|-----|---------------------|----------|------|----------|
| ZONE             | REV | DESCRIPTION         | E.C.O.NO | DATE | APPROVED |
|                  | 1   | ENGINEERING RELEASE |          |      |          |



## LAL-3065

22 - 44GHz 低噪声放大器 Low Noise Amplifier

### —电气技术参数 Electrical Specifications—

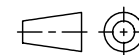
|                                 |              |
|---------------------------------|--------------|
| 频率范围 Frequency Range:           | 22 - 44GHz   |
| 增益 Gain:                        | 40dB         |
| 增益平坦度 Gain Flatness:            | ± 2.0dB      |
| 噪声系数 Noise Figure:              | 2.5dB        |
| 输出 $P_{1dB}$ Output $P_{1dB}$ : | 18dBm        |
| 输入驻波比 Input VSWR:               | 10dB         |
| 输出驻波比 Output VSWR:              | 10dB         |
| 直流偏置电压 DC Supply Voltage:       | +12V         |
| 直流偏置电流 DC Supply Current:       | 250mA        |
| 工作温度 Operation Temperature:     | -40 ~ +85°C  |
| 存储温度 Storage Temperature:       | -55 ~ +125°C |

### —机械技术参数 Mechanical Specification—

|                                 |         |
|---------------------------------|---------|
| 输入连接器 Input Interface:          | 2.4mm-F |
| 输出连接器 Output Interface:         | 2.4mm-F |
| 尺寸 Size (excluding connectors): | /       |
| 重量 Weight:                      | /       |

UNLESS OTHERWISE SPECIFIED  
DIMENSIONS ARE MILLIMETER  
TOLERANCES ARE:  
DECIMALS ANGLES FRACTIONS  
.XX±0.1 ±1° ±2/5  
.XXX±0.03  
.XXX±0.012

| HOLE DIAMETER  | TOLERANCES |
|----------------|------------|
| .35 TO 3.20    | +05/-02    |
| 3.21 TO 6.35   | +10/-03    |
| 6.36 TO 12.70  | +15/-03    |
| 12.71 TO 19.05 | +20/-03    |
| 19.06 TO 25.40 | +25/-03    |
| 25.41 TO 50.80 | +30/-03    |



| Approvals | DATE |
|-----------|------|
| DRWN      |      |
| ENG       |      |
| CHK       |      |
| Q.A.      |      |



www.lairmw.com sales@lairmw.com

P/N: LAL-3065

22-44GHz 低噪声放大器 Low Noise Amplifier  
增益 Gain 40dB, 噪声系数 NF 2.5dB

| SIZE  | CAGE NO | DWG NO.      | REV |
|-------|---------|--------------|-----|
| A3    |         |              | 1   |
| SCALE | UNIT    | SHEET 1 OF 1 |     |
| 3:2   | mm      |              |     |