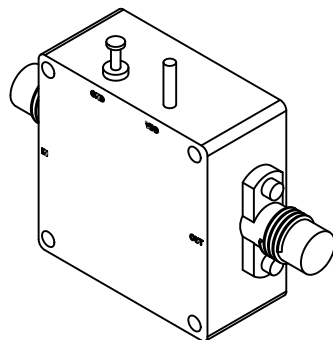


NOTES: UNLESS OTHERWISE SPECIFIED
THIS IS A CAD GENERATED DRAWING, DO NOT REVISE MANUALLY

| REVISION HISTORY | | | | | |
|------------------|-----|---------------------|----------|------|----------|
| ZONE | REV | DESCRIPTION | E.C.O.NO | DATE | APPROVED |
| | 1 | ENGINEERING RELEASE | | | |



LAL-3059

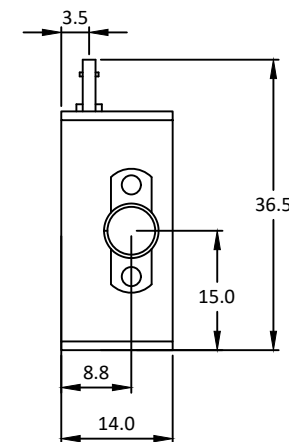
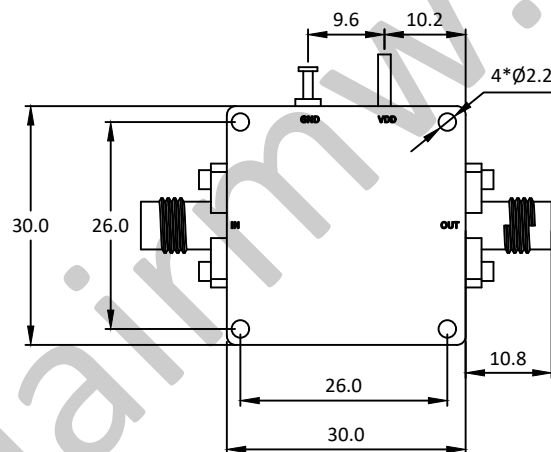
75KHz- 50GHz 低噪声放大器 Low Noise Amplifier

—电气技术参数 Electrical Specifications—

| | |
|---------------------------------|--------------|
| 频率范围 Frequency Range: | 75KHz-50GHz |
| 增益 Gain: | 23dB |
| 增益平坦度 Gain Flatness: | / |
| 噪声系数 Noise Figure: | 4.5dB |
| 输出 P_{1dB} Output P_{1dB} : | 10dBm |
| 输入驻波比 Input VSWR: | 10dB |
| 输出驻波比 Output VSWR: | 10dB |
| 直流偏置电压 DC Supply Voltage: | +5V |
| 直流偏置电流 DC Supply Current: | 150mA |
| 工作温度 Operation Temperature: | -40 ~ +85°C |
| 存储温度 Storage Temperature: | -55 ~ +125°C |

—机械技术参数 Mechanical Specification—

| | |
|---------------------------------|---------|
| 输入连接器 Input Interface: | 2.4mm-F |
| 输出连接器 Output Interface: | 2.4mm-F |
| 尺寸 Size (excluding connectors): | / |
| 重量 Weight: | / |



| | | | | | | | | | | | | | | | | | | | | | |
|---|--|------------|-------------------------------------|---------------|--------------|------------|---------------|------------|----------------|------------|----------------|------------|---|------------|---|---------|--------------|---------|-----|----|--|
| UNLESS OTHERWISE SPECIFIED DIMENSIONS ARE MILLIMETER TOLERANCES ARE: DECIMALS ANGLES FRACTIONS .XX±0.1 ±1° ±2/5 .XXX±0.012 | | | www.lairmw.com sales@lairmw.com | P/N: LAL-3059 | | | | | | | | | | | | | | | | | |
| | <table border="1"> <tr><td>Approvals</td><td>DATE</td></tr> <tr><td>DRWN</td><td></td></tr> <tr><td>ENG</td><td></td></tr> <tr><td>CHK</td><td></td></tr> <tr><td>Q.A.</td><td></td></tr> </table> | Approvals | | DATE | DRWN | | ENG | | CHK | | Q.A. | | 75kHz-50GHz 低噪声放大器 Low Noise Amplifier 增益 Gain 23dB, 噪声系数 NF 4.5dB | | <table border="1"> <tr> <td>SIZE</td> <td>CAGE NO</td> <td>DWG NO.</td> <td>REV</td> </tr> <tr> <td>A3</td> <td></td> <td></td> <td>1</td> </tr> </table> | SIZE | CAGE NO | DWG NO. | REV | A3 | |
| Approvals | DATE | | | | | | | | | | | | | | | | | | | | |
| DRWN | | | | | | | | | | | | | | | | | | | | | |
| ENG | | | | | | | | | | | | | | | | | | | | | |
| CHK | | | | | | | | | | | | | | | | | | | | | |
| Q.A. | | | | | | | | | | | | | | | | | | | | | |
| SIZE | CAGE NO | DWG NO. | REV | | | | | | | | | | | | | | | | | | |
| A3 | | | 1 | | | | | | | | | | | | | | | | | | |
| <table border="1"> <tr> <td>HOLE DIAMETER</td> <td>TOLERANCES</td> </tr> <tr> <td>.35 TO 3.20</td> <td>+.05/- .02</td> </tr> <tr> <td>3.21 TO 6.35</td> <td>+.10/- .03</td> </tr> <tr> <td>6.36 TO 12.70</td> <td>+.15/- .03</td> </tr> <tr> <td>12.71 TO 19.05</td> <td>+.20/- .03</td> </tr> <tr> <td>19.06 TO 25.40</td> <td>+.25/- .03</td> </tr> <tr> <td>25.41 TO 50.80</td> <td>+.30/- .03</td> </tr> </table> | HOLE DIAMETER | TOLERANCES | .35 TO 3.20 | +.05/- .02 | 3.21 TO 6.35 | +.10/- .03 | 6.36 TO 12.70 | +.15/- .03 | 12.71 TO 19.05 | +.20/- .03 | 19.06 TO 25.40 | +.25/- .03 | 25.41 TO 50.80 | +.30/- .03 | SCALE 3:2 | UNIT mm | SHEET 1 OF 1 | | | | |
| HOLE DIAMETER | TOLERANCES | | | | | | | | | | | | | | | | | | | | |
| .35 TO 3.20 | +.05/- .02 | | | | | | | | | | | | | | | | | | | | |
| 3.21 TO 6.35 | +.10/- .03 | | | | | | | | | | | | | | | | | | | | |
| 6.36 TO 12.70 | +.15/- .03 | | | | | | | | | | | | | | | | | | | | |
| 12.71 TO 19.05 | +.20/- .03 | | | | | | | | | | | | | | | | | | | | |
| 19.06 TO 25.40 | +.25/- .03 | | | | | | | | | | | | | | | | | | | | |
| 25.41 TO 50.80 | +.30/- .03 | | | | | | | | | | | | | | | | | | | | |