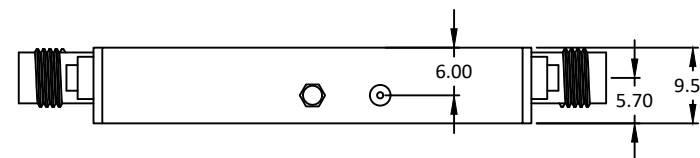
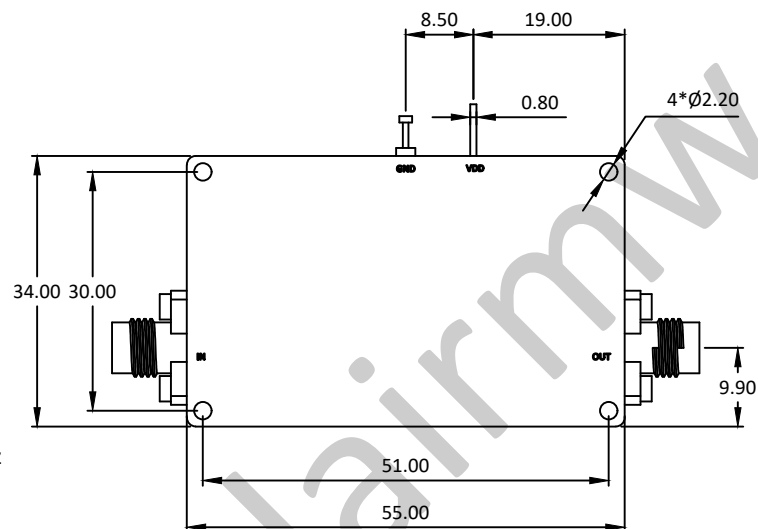
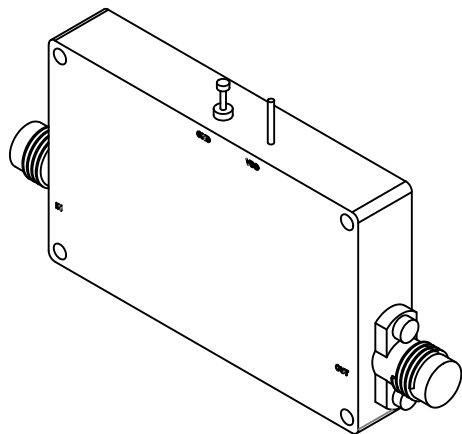


NOTES: UNLESS OTHERWISE SPECIFIED
 1. THIS IS A CAD GENERATED DRAWING, DO NOT REVISE MANUALLY

REVISION HISTORY					
ZONE	REV	DESCRIPTION	E.C.O.NO	DATE	APPROVED
	1	ENGINEERING RELEASE			



LAL-3046

18 - 40GHz 低噪声放大器 Low Noise Amplifier

—电气技术参数 Electrical Specifications—

频率范围 Frequency Range:	18 - 40GHz
增益 Gain:	53dB
增益平坦度 Gain Flatness:	±1.5dB
噪声系数 Noise Figure:	4.0dB
输出 P _{1dB} Output P _{1dB} :	10dBm
输入驻波比 Input VSWR:	10dB
输出驻波比 Output VSWR:	10dB
直流偏置电压 DC Supply Voltage:	+5V
直流偏置电流 DC Supply Current:	280mA
工作温度 Operation Temperature:	-40 ~ +85 °C
存储温度 Storage Temperature:	-55 ~ +125 °C

—机械技术参数 Mechanical Specification—

输入连接器 Input Interface:	2.92mm-F
输出连接器 Output Interface:	2.92mm-F
尺寸 Size (excluding connectors):	/
重量 Weight:	/

UNLESS OTHERWISE SPECIFIED DIMENSIONS ARE MILLIMETER TOLERANCES ARE: DECIMALS ANGLES FRACTIONS .XX±0.1 ±1° ±2/5 .XXX±0.012				莱尔微波 www.lairmw.com sales@lairmw.com	P/N: LAL-3046		
		Approvals	DATE		18-40GHz 低噪声放大器 Low Noise Amplifier 增益 Gain 53dB, 噪声系数 NF 4.0dB		
HOLE DIAMETER	TOLERANCES	DRWN		SIZE	CAGE NO	DWG NO.	REV
.35 TO 3.20	+05/-02	ENG		A3			1
3.21 TO 6.35	+10/-03	CHK		SCALE	UNIT	SHEET 1 OF 1	
6.36 TO 12.70	+15/-03	Q.A.		3:2	mm		
12.71 TO 19.05	+20/-03						
19.06 TO 25.40	+25/-03						
25.41 TO 50.80	+30/-03						