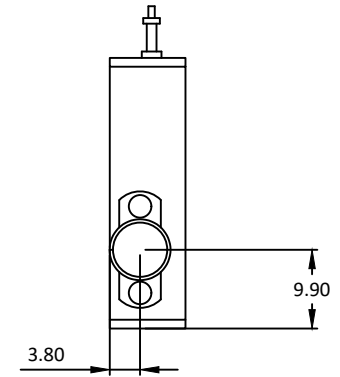
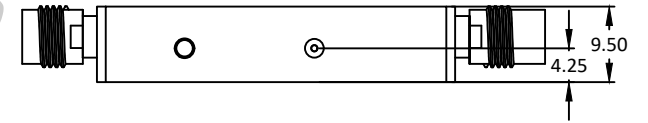
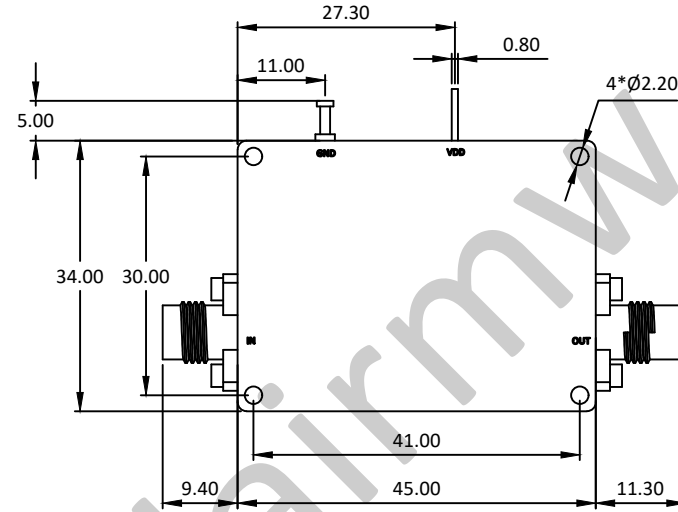
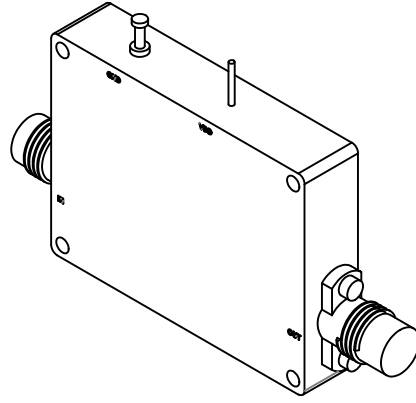


NOTES: UNLESS OTHERWISE SPECIFIED  
THIS IS A CAD GENERATED DRAWING, DO NOT REVISE MANUALLY

REVISION HISTORY					
ZONE	REV	DESCRIPTION	E.C.O.NO	DATE	APPROVED
	1	ENGINEERING RELEASE			



## LAL-3045

18 - 40GHz 低噪声放大器 Low Noise Amplifier

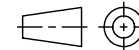
### —电气技术参数 Electrical Specifications—

频率范围 Frequency Range:	18 - 40GHz
增益 Gain:	33dB
增益平坦度 Gain Flatness:	±2.0dB
噪声系数 Noise Figure:	3.5dB
输出 P <sub>1dB</sub> Output P <sub>1dB</sub> :	18dBm
输入驻波比 Input VSWR:	10dB
输出驻波比 Output VSWR:	8dB
直流偏置电压 DC Supply Voltage:	+5 to +8V
直流偏置电流 DC Supply Current:	380mA
工作温度 Operation Temperature:	-40 ~ +85°C
存储温度 Storage Temperature:	-55 ~ +125°C

### —机械技术参数 Mechanical Specification—

输入连接器 Input Interface:	2.92mm-F
输出连接器 Output Interface:	2.92mm-F
尺寸 Size (excluding connectors):	/
重量 Weight:	/

UNLESS OTHERWISE SPECIFIED  
DIMENSIONS ARE MILLIMETER  
TOLERANCES ARE:  
DECIMALS ANGLES FRACTIONS  
.XX±0.1 ±1° ±2/5  
.XXX±0.03  
.XXX±0.012



Approvals	DATE
DRWN	
ENG	
CHK	
Q.A.	

莱尔微波  
Laird Microwave  
www.lairmw.com sales@lairmw.com

P/N: LAL-3045

18-40GHz 低噪声放大器 Low Noise Amplifier  
增益 Gain 33dB, 噪声系数 NF 3.5dB

SIZE	CAGE NO	DWG NO.	REV
A3			1
SCALE	UNIT	SHEET 1 OF 1	
3:2	mm		