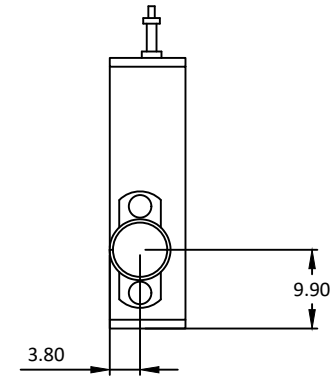
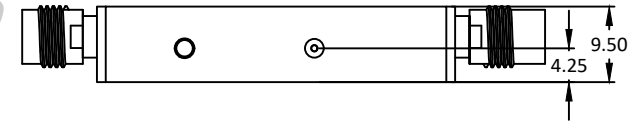
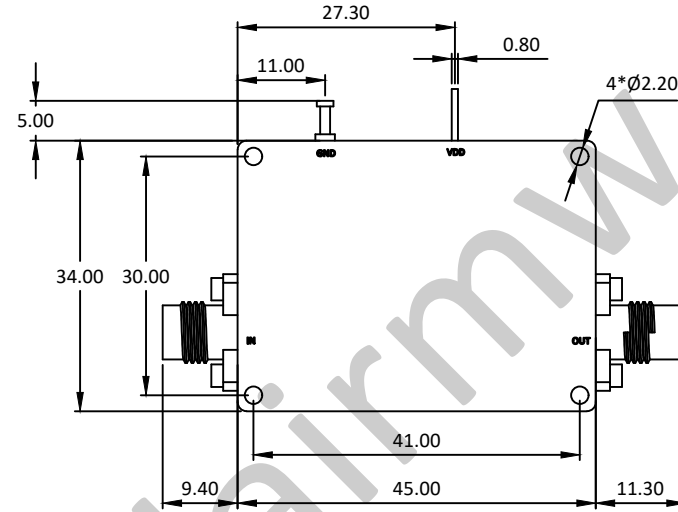
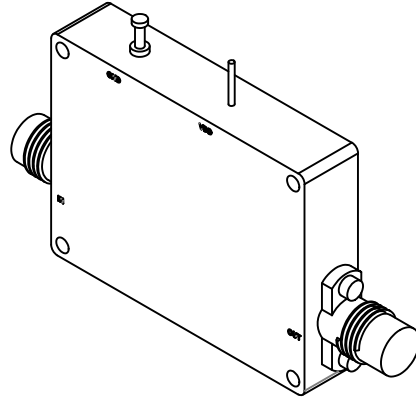


NOTES: UNLESS OTHERWISE SPECIFIED  
THIS IS A CAD GENERATED DRAWING, DO NOT REVISE MANUALLY

REVISION HISTORY					
ZONE	REV	DESCRIPTION	E.C.O.NO	DATE	APPROVED
	1	ENGINEERING RELEASE			



## LAL-3042

18 - 32GHz 低噪声放大器 Low Noise Amplifier

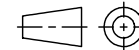
### —电气技术参数 Electrical Specifications—

频率范围 Frequency Range:	18 - 32GHz
增益 Gain:	27dB
增益平坦度 Gain Flatness:	±0.8dB
噪声系数 Noise Figure:	3.0dB
输出 P <sub>1dB</sub> Output P <sub>1dB</sub> :	10dBm
输入驻波比 Input VSWR:	1.5
输出驻波比 Output VSWR:	1.5
直流偏置电压 DC Supply Voltage:	+5V
直流偏置电流 DC Supply Current:	160mA
工作温度 Operation Temperature:	-40 ~ +85°C
存储温度 Storage Temperature:	-55 ~ +125°C

### —机械技术参数 Mechanical Specification—

输入连接器 Input Interface:	2.92mm-F
输出连接器 Output Interface:	2.92mm-F
尺寸 Size (excluding connectors):	—
重量 Weight:	—

UNLESS OTHERWISE SPECIFIED  
DIMENSIONS ARE MILLIMETER  
TOLERANCES ARE:  
DECIMALS ANGLES FRACTIONS  
.XX±0.1 ±1° ±2/5  
.XXX±0.03  
.XXX±0.012



Approvals	DATE
DRWN	
ENG	
CHK	
Q.A.	



P/N: LAL-3042

18-32GHz 低噪声放大器 Low Noise Amplifier  
增益 Gain 27dB, 噪声系数 NF 3.0dB

SIZE	A3	CAGE NO	DWG NO.	REV
SCALE	3:2	UNIT	mm	1
SHEET 1 OF 1				