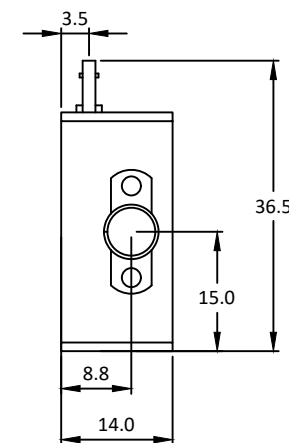
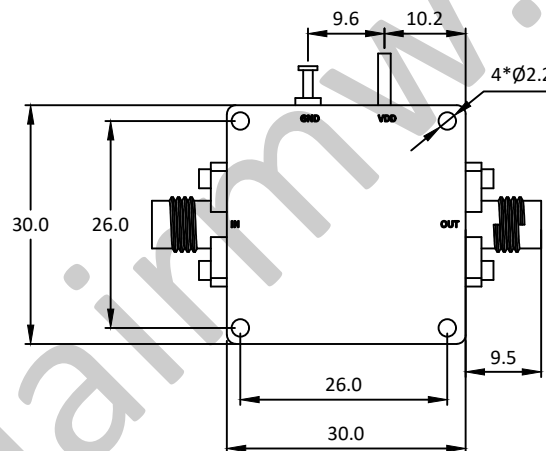
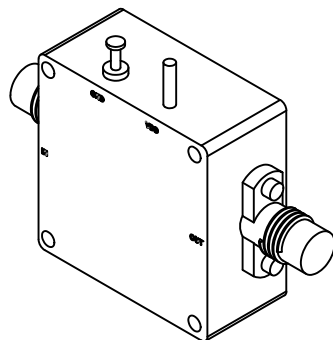


NOTES: UNLESS OTHERWISE SPECIFIED
THIS IS A CAD GENERATED DRAWING, DO NOT REVISE MANUALLY

REVISION HISTORY					
ZONE	REV	DESCRIPTION	E.C.O.NO	DATE	APPROVED
	1	ENGINEERING RELEASE			



LAL-3029

0.01 - 43.5GHz 低噪声放大器 Low Noise Amplifier

—电气技术参数Electrical Specifications—

频率范围 Frequency Range:	0.01 - 43.5GHz
增益Gain:	12dB
增益平坦度Gain Flatness:	±2dB
噪声系数 Noise Figure:	4.5dB
输出 P_{1dB} Output P_{1dB} :	13dBm
输入驻波比Input VSWR:	10dB
输出驻波比Output VSWR:	10dB
直流偏置电压DC Supply Voltage:	+5V
直流偏置电流DC Supply Current:	70mA
工作温度Operation Temperature:	-40~+85°C
存储温度Storage Temperature:	-55~+125°C

—机械技术参数Mechanical Specification—

输入连接器Input Interface:	2.92mm-F
输出连接器Output Interface:	2.92mm-F
尺寸Size(excluding connectors):	/
重量Weight:	/

UNLESS OTHERWISE SPECIFIED DIMENSIONS ARE MILLIMETER TOLERANCES ARE: DECIMALS ANGLES FRACTIONS .XX±0.1 ±1° ±2/5 .XXX±0.012		莱尔微波 www.lairmw.com sales@lairmw.com		P/N: LAL-3029	
		0.01-43.5GHz 低噪声放大器 Low Noise Amplifier 增益 Gain 12dB, 噪声系数 NF 4.5dB			
HOLE DIAMETER .35 TO 3.20 3.21 TO 6.35 6.36 TO 12.70 12.71 TO 19.05 19.06 TO 25.40 25.41 TO 50.80	TOLERANCES +05/-02 +10/-03 +15/-03 +20/-03 +25/-03 +30/-03	Approvals DATE DRWN ENG CHK Q.A.	SIZE A3	CAGE NO UNIT mm	DWG NO. SHEET 1 OF 1
				REV 1	