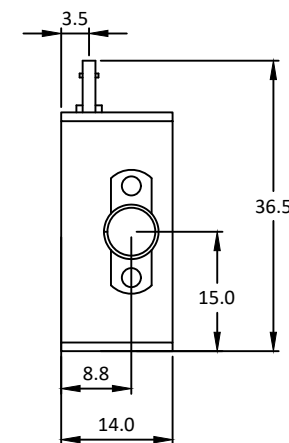
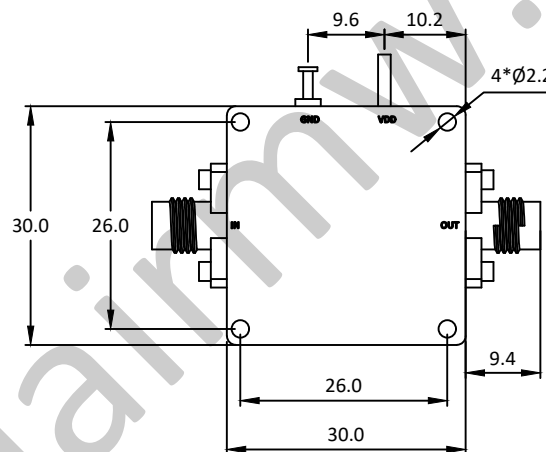
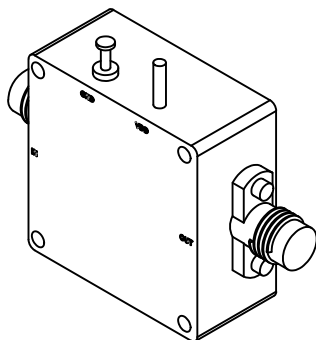


NOTES: UNLESS OTHERWISE SPECIFIED  
THIS IS A CAD GENERATED DRAWING, DO NOT REVISE MANUALLY

| REVISION HISTORY |     |                     |          |      |          |
|------------------|-----|---------------------|----------|------|----------|
| ZONE             | REV | DESCRIPTION         | E.C.O.NO | DATE | APPROVED |
|                  | 1   | ENGINEERING RELEASE |          |      |          |



## LAL-3009

1 - 9GHz 低噪声放大器 Low Noise Amplifier

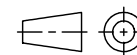
### —电气技术参数 Electrical Specifications—

|   |            |
|---|------------|
| 频率范围 Frequency Range:                         | 1 - 9GHz   |
| 增益 Gain:                                      | 50dB       |
| 增益平坦度 Gain Flatness:                          | /          |
| 噪声系数 Noise Figure:                            | 1.0dB      |
| 输出 P <sub>1dB</sub> Output P <sub>1dB</sub> : | 12dBm      |
| 输入驻波比 Input VSWR:                             | 10dB       |
| 输出驻波比 Output VSWR:                            | 10dB       |
| 直流偏置电压 DC Supply Voltage:                     | +5V        |
| 直流偏置电流 DC Supply Current:                     | 100mA      |
| 工作温度 Operation Temperature:                   | -40~+85°C  |
| 存储温度 Storage Temperature:                     | -55~+125°C |

### —机械技术参数 Mechanical Specification—

|                                 |       |
|---------------------------------|-------|
| 输入连接器 Input Interface:          | SMA-F |
| 输出连接器 Output Interface:         | SMA-F |
| 尺寸 Size (excluding connectors): | /     |
| 重量 Weight:                      | /     |

UNLESS OTHERWISE SPECIFIED  
DIMENSIONS ARE MILLIMETER  
TOLERANCES ARE:  
DECIMALS ANGLES FRACTIONS  
.XX±0.1 ±1° ±2/5  
.XXX±0.012



Approvals

DATE

DRWN

ENG

CHK

Q.A.



www.lairmw.com sales@lairmw.com

P/N: LAL-3009

1-9GHz 低噪声放大器 Low Noise Amplifier  
增益 Gain 50dB, 噪声系数 NF 1.0dB

SIZE  
A3

CAGE NO

DWG NO.

REV  
1

SCALE  
3:2

UNIT  
mm

SHEET 1 OF 1

HOLE DIAMETER  
.35 TO 3.20  
3.21 TO 6.35  
6.36 TO 12.70  
12.71 TO 19.05  
19.06 TO 25.40  
25.41 TO 50.80

TOLERANCES  
+.05/-02  
+.10/-03  
+.15/-03  
+.20/-03  
+.25/-03  
+.30/-03