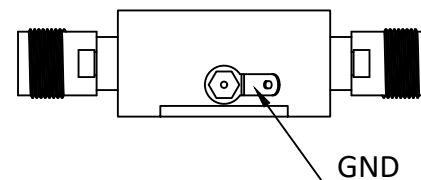
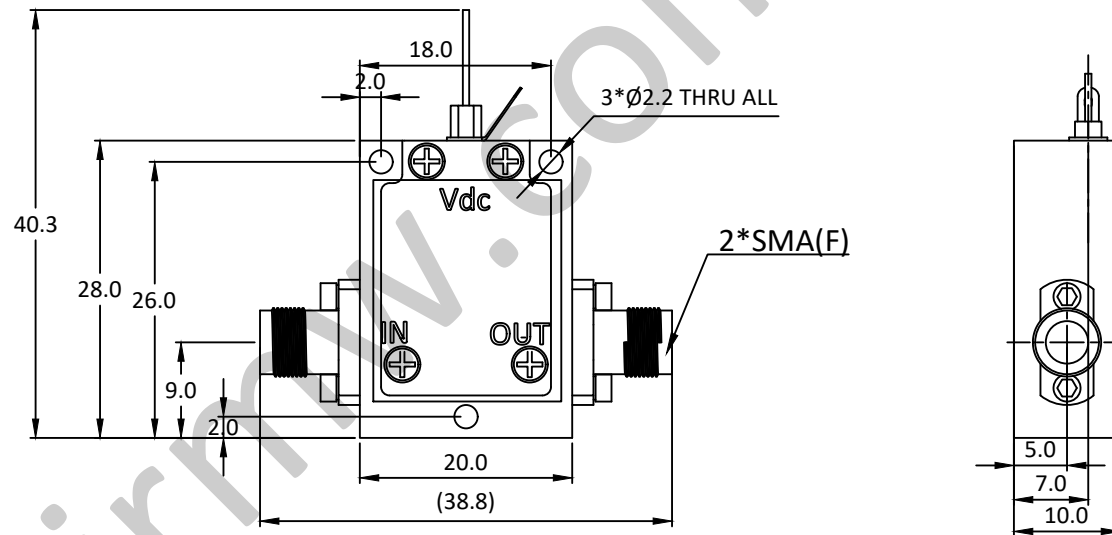
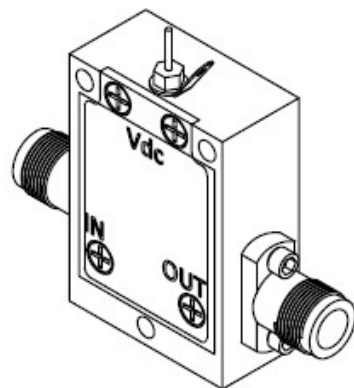


NOTES: UNLESS OTHERWISE SPECIFIED  
THIS IS A CAD GENERATED DRAWING, DO NOT REVISE MANUALLY

REVISION HISTORY					
ZONE	REV	DESCRIPTION	E.C.O.NO	DATE	APPROVED
	1	ENGINEERING RELEASE			



## LAL-2038

9 - 10GHz 低噪声放大器 Low Noise Amplifier

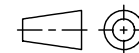
### —电气技术参数 Electrical Specifications—

频率范围 Frequency Range:	9-10GHz
增益 Gain:	26dB(Typ), 24dB(Min)
增益平坦度 Gain Flatness:	±0.5dB (Max)
噪声系数 Noise Figure:	1.3dB(Typ), 1.5dB(Max)
输出 P <sub>1dB</sub> Output P <sub>1dB</sub> :	19dBm(Typ)
饱和输出功率 P <sub>sat</sub> :	21dBm(Typ)
最大输入功率 Maximum Input Power:	23dBm
输入驻波比 Input VSWR:	1.58:1
输出驻波比 Output VSWR:	1.58:1
直流偏置电压 DC Supply Voltage:	+5.5 ~ +15V
直流偏置电流 DC Supply Current:	160mA
工作温度 Operation Temperature:	-40 ~ +85°C
存储温度 Storage Temperature:	-65 ~ +125°C

### —机械技术参数 Mechanical Specification—

输入连接器 Input Interface:	SMA-F
输出连接器 Output Interface:	SMA-F
尺寸 Size(excluding connectors):	20mm*28mm*10mm
重量 Weight:	20g

UNLESS OTHERWISE SPECIFIED  
DIMENSIONS ARE MILLIMETER  
TOLERANCES ARE:  
DECIMALS ANGLES FRACTIONS  
.X±0.1 ±1' ±2/5  
.XX±0.03  
.XXX±0.012



Approvals DATE

DRWN

ENG

CHK

Q.A.



www.lairmw.com sales@lairmw.com

P/N: LAL-2038

9-10GHz 低噪声放大器 Low Noise Amplifier  
增益 Gain 26dB, 噪声系数 NF 1.3dB

SIZE	CAGE NO	DWG NO.	REV
A3			1
SCALE	UNIT	SHEET 1 OF 1	
3:2	mm		