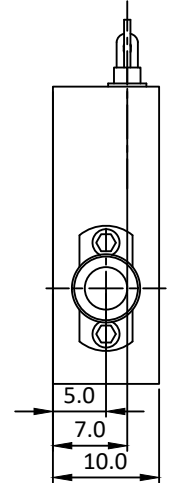
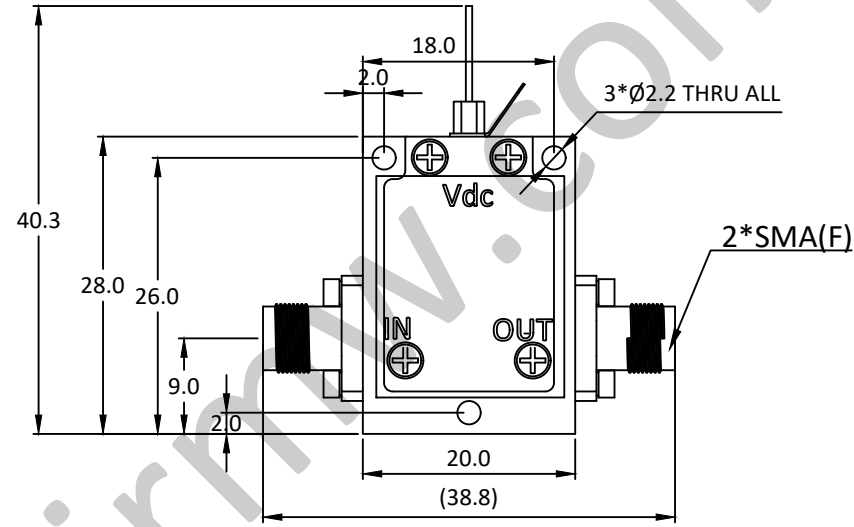
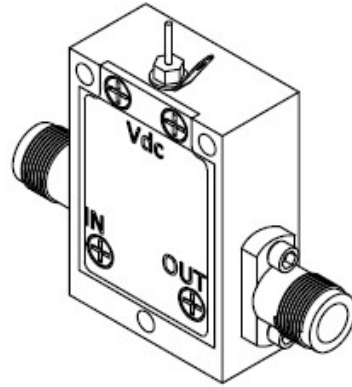


NOTES: UNLESS OTHERWISE SPECIFIED
THIS IS A CAD GENERATED DRAWING, DO NOT REVISE MANUALLY

REVISION HISTORY					
ZONE	REV	DESCRIPTION	E.C.O.NO	DATE	APPROVED
	1	ENGINEERING RELEASE			



LAL-2036

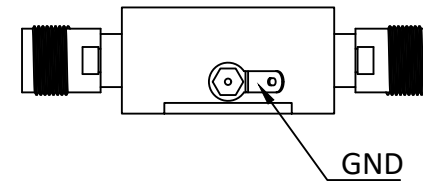
9 - 10GHz 低噪声放大器 Low Noise Amplifier

—电气技术参数 Electrical Specifications—

频率范围 Frequency Range:	9 - 10GHz
增益 Gain:	21dB
增益平坦度 Gain Flatness:	±0.5dB
噪声系数 Noise Figure:	1.5dB
输出 P _{1dB} Output P _{1dB} :	18.5dBm
饱和输出功率 P _{sat} :	19.5dBm
最大输入功率 Maximum Input Power:	23dBm
输入驻波比 Input VSWR:	1.58:1
输出驻波比 Output VSWR:	1.58:1
直流偏置电压 DC Supply Voltage:	+5.5 ~ +15V
直流偏置电流 DC Supply Current:	85mA
工作温度 Operation Temperature:	-40 ~ +85°C
存储温度 Storage Temperature:	-65 ~ +125°C

—机械技术参数 Mechanical Specification—

输入连接器 Input Interface:	SMA-F
输出连接器 Output Interface:	SMA-F
尺寸 Size (excluding connectors):	20mm*28mm*10mm
重量 Weight:	20g



UNLESS OTHERWISE SPECIFIED DIMENSIONS ARE MILLIMETER TOLERANCES ARE: DECIMALS ANGLES FRACTIONS .X±0.1 ±1' ±2/5 .XX±0.03 .XXX±0.012						P/N: LAL-2036	
		Approvals		DATE		www.lairmw.com sales@lairmw.com	
HOLE DIAMETER .35 TO 3.20 3.21 TO 6.35 6.36 TO 12.70 12.71 TO 19.05 19.06 TO 25.40 25.41 TO 50.80		TOLERANCES +.05/-0.02 +.10/-0.03 +.15/-0.03 +.20/-0.03 +.25/-0.03 +.30/-0.03		DRWN		9-10GHz 低噪声放大器 Low Noise Amplifier 增益 Gain 21dB, 噪声系数 NF 1.5dB	
		ENG		CHK		SIZE A3	
		Q.A.				CAGE NO	
						DWG NO.	
						REV 1	
				SCALE 3:2		UNIT mm	
						SHEET 1 OF 1	