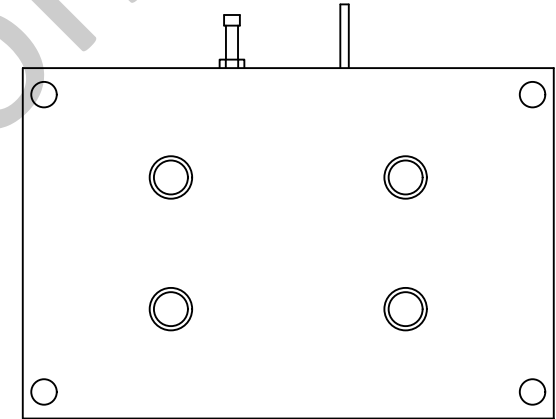
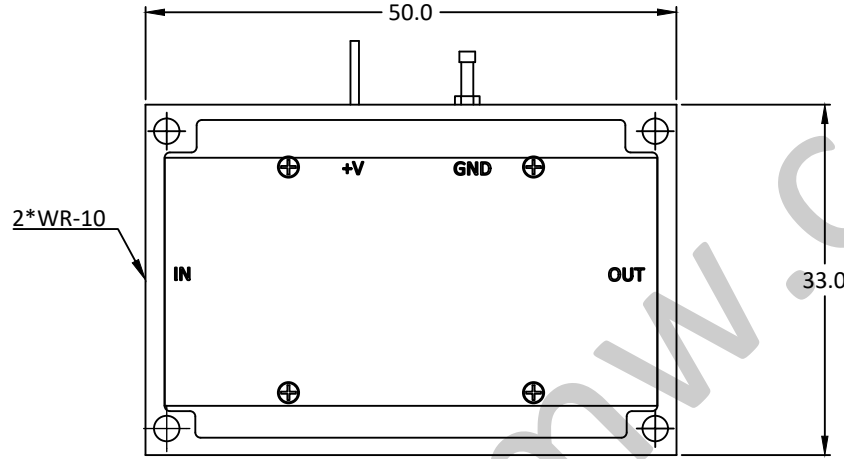
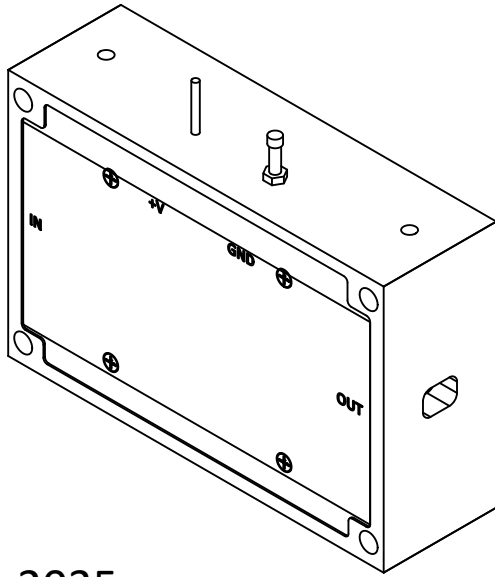


NOTES:UNLESS OTHERWISE SPECIFIED  
THIS IS A CAD GENERATED DRAWING,DO NOT REVISE MANUALLY

REVISION HISTORY					
ZONE	REV	DESCRIPTION	E.C.O.NO	DATE	APPROVED
	1	ENGINEERING RELEASE			



## LAL-2035

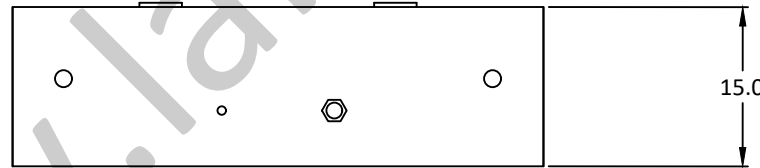
65 - 110GHz 低噪声放大器 Low Noise Amplifier

### —电气技术参数Electrical Specifications—

频率范围 Frequency Range:	65 - 110GHz
增益Gain:	18dB
增益平坦度Gain Flatness:	±1.5dB
噪声系数 Noise Figure:	3.5dB
输出 $P_{1dB}$ Output $P_{1dB}$ :	0dBm
输入驻波比Input VSWR:	10dB
输出驻波比Output VSWR:	10dB
直流偏置电压DC Supply Voltage:	+6 ~ +15V
直流偏置电流DC Supply Current:	30mA
工作温度Operation Temperature:	-40 ~ +60°C
存储温度Storage Temperature:	-65 ~ +125°C

### —机械技术参数Mechanical Specification—

输入连接器Input Interface:	WR-10
输出连接器Output Interface:	WR-10
尺寸Size(excluding connectors):	50mm*33mm*15mm
重量Weight:	40g



UNLESS OTHERWISE SPECIFIED DIMENSIONS ARE MILLIMETER TOLERANCES ARE: DECIMALS ANGLES FRACTIONS .XX±0.03 ±1° ±2/5 .XXX±0.012			 www.lairmw.com sales@lairmw.com	P/N: LAL-2035	
	Approvals	DATE		65-110GHz 低噪声放大器Low Noise Amplifier 增益 Gain 18dB, 噪声系数 NF 3.5dB	
HOLE DIAMETER .35 TO 3.20 3.21 TO 6.35 6.36 TO 12.70 12.71 TO 19.05 19.06 TO 25.40 25.41 TO 50.80	TOLERANCES +.05/- .02 +.10/- .03 +.15/- .03 +.20/- .03 +.25/- .03 +.30/- .03	DRWN	SIZE A3	CAGE NO	DWG NO.
		ENG	SCALE 3:2	UNIT mm	REV 1
		CHK	SHEET 1 OF 1		
		Q.A.			