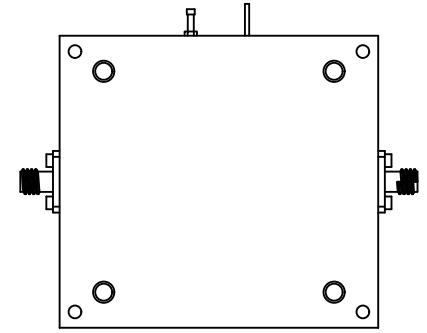
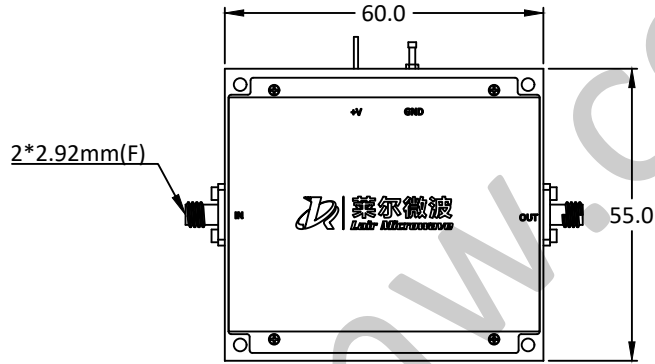
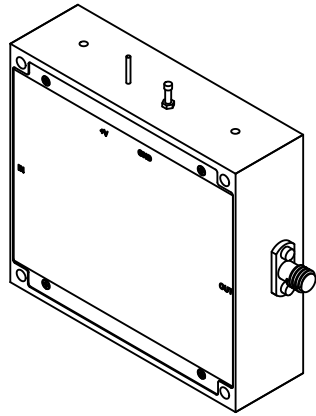


NOTES:UNLESS OTHERWISE SPECIFIED  
THIS IS A CAD GENERATED DRAWING,DO NOT REVISE MANUALLY

REVISION HISTORY					
ZONE	REV	DESCRIPTION	E.C.O.NO	DATE	APPROVED
	1	ENGINEERING RELEASE			



## LAL-2033

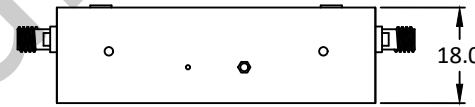
18 - 40GHz 低噪声放大器 Low Noise Amplifier

### —电气技术参数Electrical Specifications—

频率范围 Frequency Range:	18 - 40GHz
增益Gain:	45dB
增益平坦度Gain Flatness:	±1.0dB
噪声系数 Noise Figure:	4.0dB
输出 $P_{1dB}$ Output $P_{1dB}$ :	24dBm
输入驻波比Input VSWR:	14dB
输出驻波比Output VSWR:	14dB
直流偏置电压DC Supply Voltage:	+24V
直流偏置电流DC Supply Current:	100mA
工作温度Operation Temperature:	-40 ~ +60°C
存储温度Storage Temperature:	-65 ~ +125°C

### —机械技术参数Mechanical Specification—

输入连接器Input Interface:	2.92mm-F
输出连接器Output Interface:	2.92mm-F
尺寸Size(excluding connectors):	60mm*55mm*18mm
重量Weight:	100g



UNLESS OTHERWISE SPECIFIED DIMENSIONS ARE MILLIMETER TOLERANCES ARE: DECIMALS ANGLES FRACTIONS .XX±0.03 ±1' ±2/5 .XXX±0.012				 www.lairmw.com sales@lairmw.com		P/N: LAL-2033															
						Approvals DATE															
<table border="1"> <tr> <td>HOLE DIAMETER</td> <td>TOLERANCES</td> </tr> <tr> <td>.35 TO 3.20</td> <td>+.05/-02</td> </tr> <tr> <td>3.21 TO 6.35</td> <td>+.10/-03</td> </tr> <tr> <td>6.36 TO 12.70</td> <td>+.15/-03</td> </tr> <tr> <td>12.71 TO 19.05</td> <td>+.20/-03</td> </tr> <tr> <td>19.06 TO 25.40</td> <td>+.25/-03</td> </tr> <tr> <td>25.41 TO 50.80</td> <td>+.30/-03</td> </tr> </table>		HOLE DIAMETER	TOLERANCES	.35 TO 3.20	+.05/-02	3.21 TO 6.35	+.10/-03	6.36 TO 12.70	+.15/-03	12.71 TO 19.05	+.20/-03	19.06 TO 25.40	+.25/-03	25.41 TO 50.80	+.30/-03	DRWN ENG CHK Q.A.		18 - 40GHz 低噪声放大器 Low Noise Amplifier 增益 Gain 45dB, 噪声系数 NF 4.0dB		SIZE A3 CAGE NO. DWG NO. REV 1	
		HOLE DIAMETER	TOLERANCES																		
.35 TO 3.20	+.05/-02																				
3.21 TO 6.35	+.10/-03																				
6.36 TO 12.70	+.15/-03																				
12.71 TO 19.05	+.20/-03																				
19.06 TO 25.40	+.25/-03																				
25.41 TO 50.80	+.30/-03																				
SCALE 3:2		UNIT mm		SHEET 1 OF 1																	